



INDUSTRIAL INC.

www.kar.ca

Toronto | Montréal | Edmonton

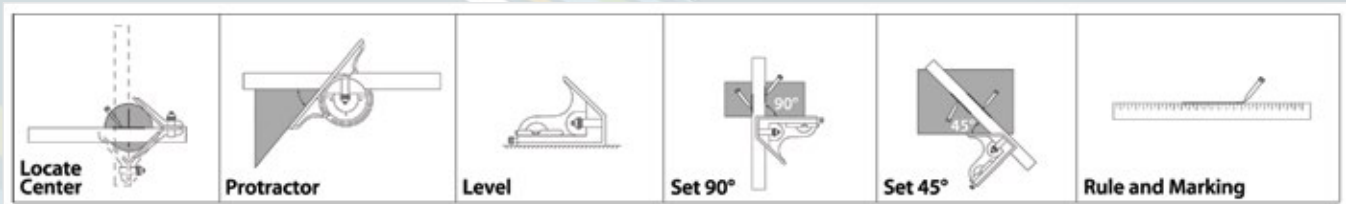


TOOLS THAT MEASURE UP

COMBINATION SQUARES

RELIABLE | ACCURATE | DURABLE | AFFORDABLE

- Stocked in Canada
- 1 Year Manufacturer Warranty
- Spare parts available



INSIZE EXCLUSIVELY AVAILABLE FROM **KAR** IN CANADA

CONTACT YOUR LOCAL KAR DISTRIBUTOR FOR MORE DETAILS

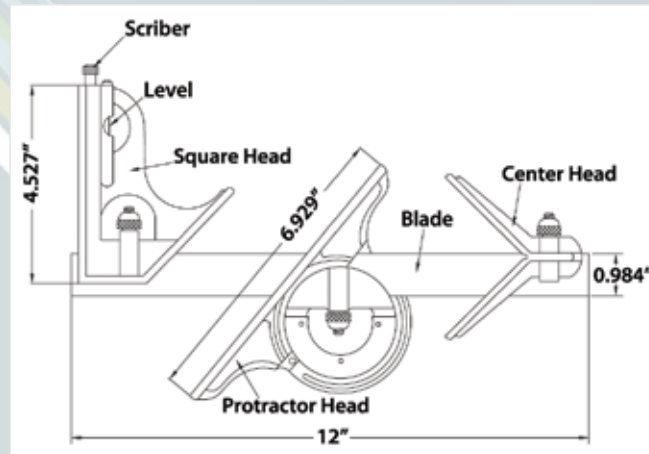
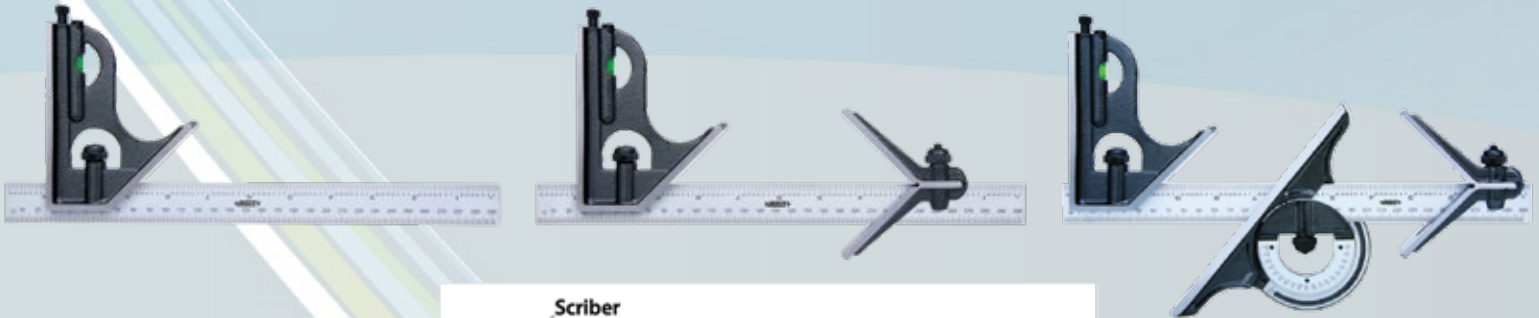
Prices subject to change without notice

YOUR AUTHORIZED KAR DISTRIBUTOR:

INSIZE TOOLS THAT MEASURE UP

COMBINATION SQUARES

RELIABLE | ACCURATE | DURABLE | AFFORDABLE



Blade Length	Blade Graduation	Description	INSIZE No.	Code	Price
12"	1/8" and 1/16" on one side, 1/32" and 1/64" on reverse side	2-pcs: rule & square head	2278-2E	877154	64. ⁹⁷
12"	1/8" and 1/16" on one side, 1/32" and 1/64" on reverse side	3-pcs: rule, square & center head	2278-3E	877155	96. ⁰²
12"/300mm	1/32" and 0.5mm on one side, 1/64" and 1mm on reverse side	4-pcs: rule, square, center & protractor head	2278-180	816324	215. ⁸²
12"	1/8" and 1/16" on one side, 1/32" and 1/64" on reverse side	4-pcs: rule, square, center & protractor head	2278-180E	283344	215. ⁴⁵
12"	1/8" and 1/16" on one side, 1/32" and 1/64" on reverse side	2-pcs: rule & square head	2278-2	877294	81. ⁸⁵
12"/300mm	1/8" and 1/16" on one side, 1/32" and 1/64" on reverse side	Rigid Rule for Combination Square 2278 Series	7113-300	283606	34. ⁸⁵

INSIZE EXCLUSIVELY AVAILABLE FROM KAR IN CANADA

CONTACT YOUR LOCAL KAR DISTRIBUTOR FOR MORE DETAILS

Prices subject to change without notice