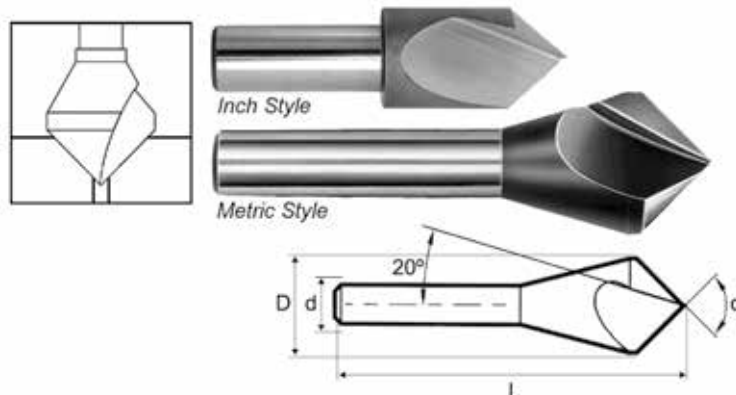


## Countersinks – Single Flute

Cobalt M35 & TiN Coated



- Chamfers to outside diameter
- Up sharp cutting edge for smooth finish
- Lubrication is recommended
- Can be reground



### Inch & Metric – Cobalt M35 & TiN Coated – 60°, 82°, 90°, 100°, & 120° Angles

D Overall Diameter (Inch)	D Overall Diameter (mm)	d Shank Diameter	Chamfer Range Min/Max	L Overall Length (Inch)	60° Angle	82° Angle	82° Angle	90° Angle	90° Angle	100° Angle	120° Angle
					Series 422	Series 424	Series 4824 TiN	Series 421	Series 4821 TiN	Series 425	Series 423
					Code	Code	Code	Code	Code	Code	Code
1/8	–	1/8"	0"-1/8"	1-1/4	601094	601105	601305	601116	601416	–	–
3/16	–	3/16"	1/64"-3/16"	1-3/8	601095	601106	601306	601117	601417	–	–
1/4	–	1/4"	1/32"-1/4"	1-1/2	601096	601107	601307	601118	601418	–	–
5/16	–	1/4"	1/32"-5/16"	1-3/4	601097	601108	601308	601119	601419	–	–
3/8	–	1/4"	1/32"-3/8"	1-3/4	601098	601109	601309	601120	601420	–	–
–	10	6 mm	1 mm-10 mm	1-3/4	540201	540211	541211	540221	541221	540231	540241
1/2	–	1/4"	1/16"-1/2"	2	601099	601110	601310	601121	601421	–	–
–	15	8 mm	2 mm-15 mm	2-1/8	540202	540212	541212	540222	541222	540232	540242
5/8	–	3/8"	1/16"-5/8"	2-1/4	601100	601111	601311	601122	601422	–	–
3/4	–	1/2"	1/16"-3/4"	2-9/16	601101	601112	601312	601123	601423	–	–
–	20	10 mm	2 mm-20 mm	2-9/16	540203	540213	541213	540223	541223	540233	540243
7/8	–	1/2"	1/16"-7/8"	2-3/4	601102	601113	601313	601124	601424	–	–
–	25	12 mm	3 mm-25 mm	3	540204	540214	541214	540224	541224	540234	540244
1	–	1/2"	1/8"-1"	3	601103	601114	601314	601125	601425	–	–
–	30	12 mm	3 mm-30 mm	3-1/2	540205	540215	541215	540225	541225	540235	540245
1-1/4	–	1/2"	1/8"-1-1/4"	2-3/4	601104	601115	601315	601126	601426	–	–
–	35	16 mm	4 mm-35 mm	4	–	–	–	*540226	541226	–	–
–	40	16 mm	5 mm-40 mm	4-1/2	–	–	–	*540227	541227	–	–
–	50	16 mm	12 mm-50 mm	5	–	–	–	*540228	541228	–	–
–	63	MT3	12 mm-63 mm	7-5/32	–	–	–	540229	–	–	–

\*Three gripping flats on shank

### Inch & Metric – Cobalt M35 & TiN Coated – 5 & 6-Piece Sets

- Sizes included: Inch – 1/4", 5/16", 3/8", 1/2", 5/8" and 3/4"  
Metric – 10mm, 15mm, 20mm, 25mm and 30mm  
(for other dimension see above "Cobalt M35 – 60°, 82°, 90°, 100°, and 120° Angles")
- Supplied in fitted storage case



Included Angle	Inch 6-Piece Set Cobalt 35	Inch 6-Piece Set TiN Coated	Metric 5-Piece Set Cobalt 35	Metric 5-Piece Set TiN Coated
	Code	Code	Code	Code
60°	601127	601227	540251	541251
82°	601128	601228	540252	541252
90°	601129	601229	540253	541253
100°	–	–	540254	541254
120°	–	–	540255	541255