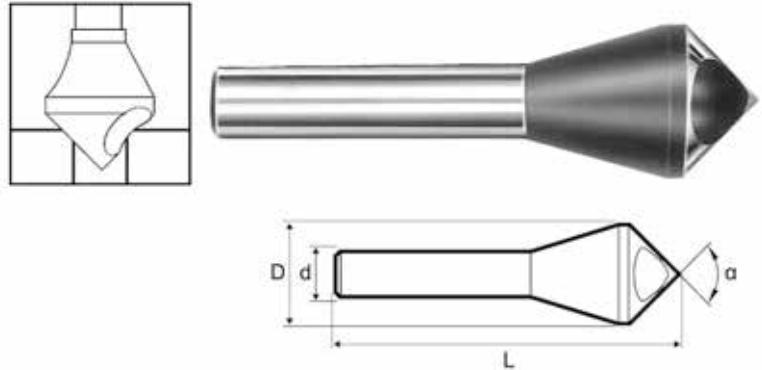


Countersinks – Chatterless with Hole

Cobalt M35 & TiN Coated



- The hole-style deburring tool is designed to countersink and chamfer light metals and plastics
- The finish is smooth and free of burrs
- Lubrication is recommended



Inch & Metric – Cobalt M35 & TiN Coated – 60°, 82°, 90°, 100°, & 120° Angles

D Overall Diameter (Inch)	D Overall Diameter (mm)	d Shank Diameter	Chamfer Range Min/Max	L Overall Length (Inch)	60° Angle	82° Angle	82° Angle	90° Angle	90° Angle	100° Angle	120° Angle
					Series 412	Series 414	Series 4814 - TiN	Series 411	Series 4811	Series 415	Series 413
					Code	Code	Code	Code	Code	Code	Code
1/4	–	1/4"	0.08"-0.20"	1-3/4	♦601076	♦601081	601281	♦601086	601286	–	–
–	10	6 mm	4 mm-9 mm	1-3/4	540101	540111	541111	540121	541121	540131	540141
7/16	–	1/4"	0.20"-0.39"	1-3/4	601077	601082	601282	601087	601287	–	–
9/16	–	1/4"	0.24"-0.51"	2	601078	601083	601283	601088	601288	–	–
–	15	8 mm	6 mm-14 mm	2	540102	540112	541112	540122	541122	540132	540142
–	20	10 mm	8 mm-18 mm	2-1/2	540103	540113	541113	540123	541123	540133	540143
13/16	–	1/2"	0.31"-0.70"	2-5/8	601079	601084	601284	601089	601289	–	–
–	25	12 mm	10 mm-23 mm	3	540104	540114	541114	540124	541124	540134	540144
–	30	12 mm	12 mm-28 mm	3-1/2	540105	540115	541115	540125	541125	540135	540145
1-3/16	–	1/2"	0.47"-1.10"	3-1/2	601080	601085	601285	601090	601290	–	–
–	35	16 mm	14 mm-33 mm	4	*540106	*540116	541136	*540126	541126	*540136	*540146
–	40	16 mm	16 mm-38 mm	4-1/2	–	–	–	540127	–	–	–
–	50	16 mm	20 mm-48 mm	5	–	–	–	540128	–	–	–

- ♦ Double Ended
- * Three gripping flats on shank

Inch & Metric – Cobalt M35 & TiN Coated – 5-Piece Sets

- Sizes included: Inch – 1/4", 7/16", 9/16", 13/16" and 1-3/16"
Metric – 10 mm, 15 mm, 20 mm, 25 mm and 30 mm
(for other dimension see above "Cobalt M35 – 60°, 82°, 90°, 100°, and 120° Angles")
- Supplied in fitted storage case



Included Angle	Inch Cobalt 35	Inch TiN Coated	Metric Cobalt 35	Metric TiN Coated
	Code	Code	Code	Code
60°	601091	601291	540151	541151
82°	601092	601292	540152	541152
90°	601093	601293	540153	541153
100°	–	–	540154	541154
120°	–	–	540155	541155