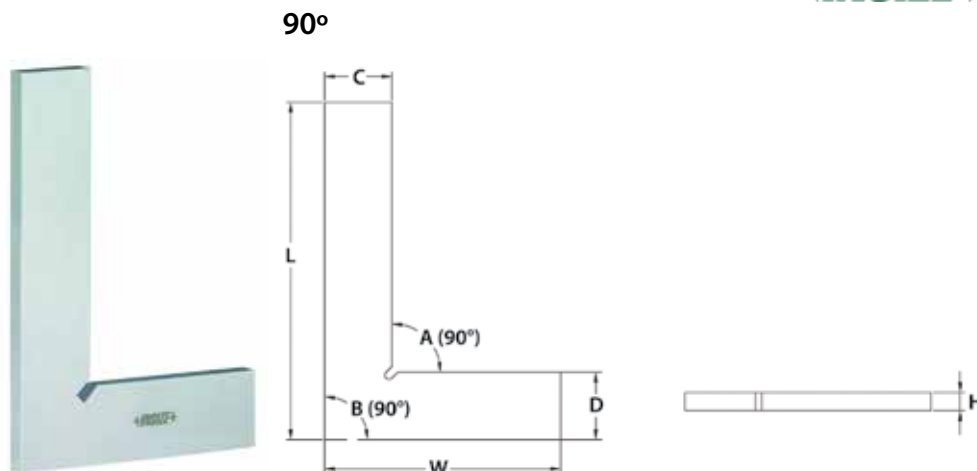


Flat Edge Squares



- Meets DIN875 standards, grade 0
- Hardened stainless steel
- Supplied in fitted storage case

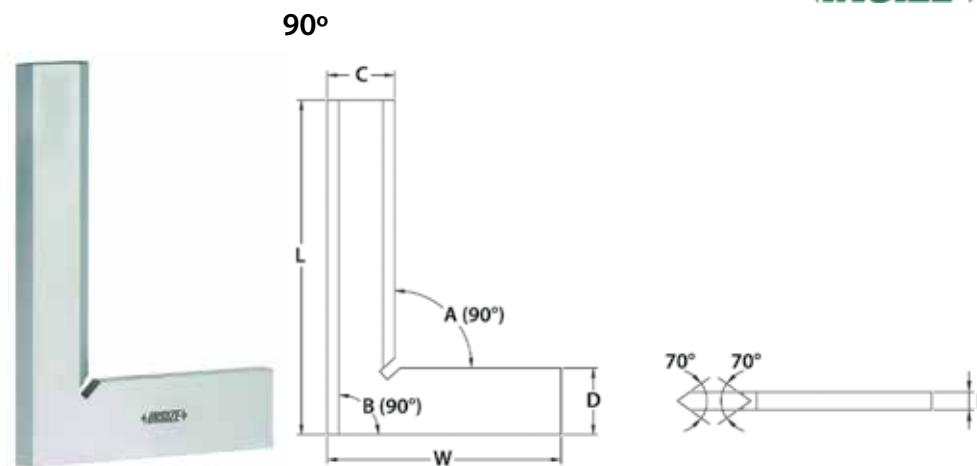


L x W Dimensions (Inch)	A Inside Squareness (Inch)	B Outside Squareness (Inch)	C (Inch)	D (Inch)	H (Inch)	INSIZE No.	Code
3.9 x 2.8	0.000276	0.000276	0.787	0.787	0.197	4791-100	816316
5.9 x 3.9	0.000276	0.000315	1.181	1.181	0.236	4791-150	816318

Beveled Edge Squares



- Two beveled edges on upright blade for inside and outside measurements
- Hardened stainless steel
- Supplied in fitted storage case



L x W Dimensions (Inch)	A Inside Squareness (Inch)	B Outside Squareness (Inch)	C (Inch)	D (Inch)	H (Inch)	INSIZE No.	Code
2.0 x 1.6	0.000094	0.000098	0.512	0.512	0.157	4790-050	816300
3.0 x 2.0	0.000102	0.000110	0.591	0.591	0.157	4790-075	816302
3.9 x 2.8	0.000110	0.000118	0.787	0.787	0.197	4790-0100	816304
5.9 x 3.9	0.000126	0.000138	1.181	1.181	0.236	4790-0150	816306
7.9 x 5.1	0.000146	0.000137	1.339	1.339	0.276	4790-0200	816308
11.8 x 7.9	0.000181	0.000197	1.575	1.575	0.315	4790-0300	816310