

Dial Test Indicator Holders

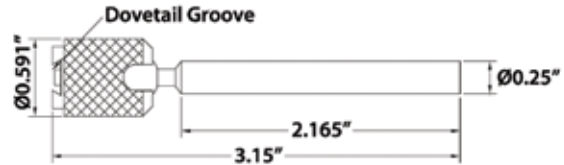
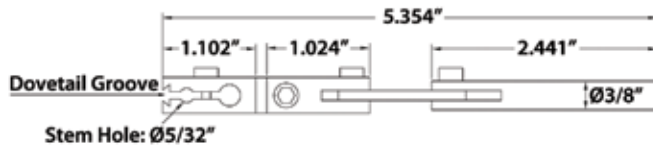


Universal



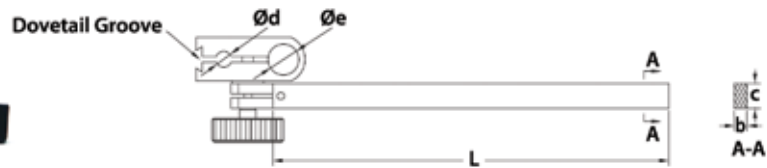
- Supplied with wrench

- Set the indicator at a desired position



INSIZE No.	Code
6296-2	877030

INSIZE No.	Code
6293-5	282880

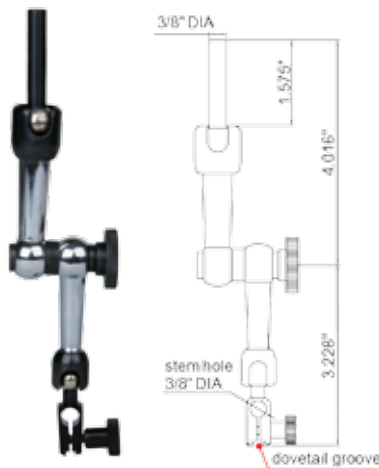


L Stem Length (Inch)	b (Inch)	c (Inch)	Ød Stem Hole (Inch)	Øe Stem Hole (Inch)	INSIZE No.	Code
2	0.354	0.354	5/32	3/8	6293-7	816416

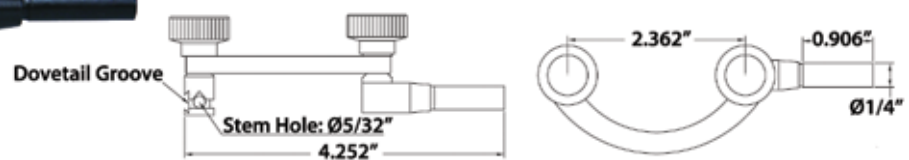
Dial Test Indicator Centering Holders



- Center cylinders or holes on machine tools



INSIZE No.	Code
6295-1AE	284452



INSIZE No.	Code
6291-2	282875