

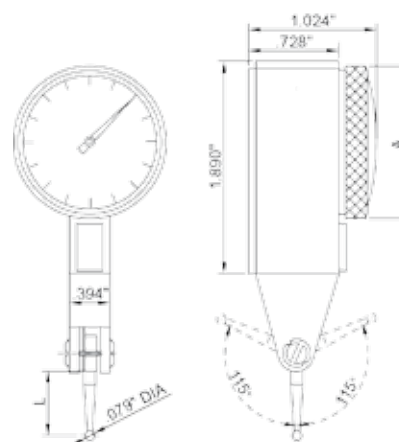
## Dial Test Indicators



282858



Supplied with two clamps



- Jeweled bearing
- Carbide contact point
- Two measuring directions
- Anti-magnetic body
- Supplied with two clamps: 5/32" and 3/8" diameters
- Supplied in fitted storage case

OPTIONAL ACCESSORY: Stylus

Range (Inch)	Graduation (Inch)	Accuracy (Inch)	Dial Reading	ØA (Inch)	L (Inch)	INSIZE No.	Code
0.03	0.001	±0.001	0-15-0	1.181	0.500	2380-31	282858
0.03	0.0005	±0.0005	0-15-0	1.181	0.500	2380-35	816170
0.008	0.0001	±0.0001	0-40-0	1.181	0.563	2380-301	816172
0.03	0.001	±0.001	0-15-0	1.457	0.500	2381-31	282859
0.03	0.0005	±0.0005	0-15-0	1.457	0.500	2381-35	282860

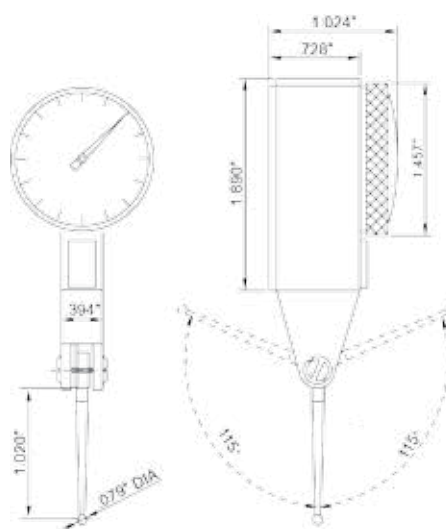
## Dial Test Indicator



With Long Stylus



Supplied with two clamps



- Jeweled bearing
- Carbide contact point
- Two measuring directions
- Anti-magnetic body
- Supplied with two clamps: 5/32" and 3/8" diameters
- Supplied in fitted storage case

OPTIONAL ACCESSORY: Stylus

Range (Inch)	Graduation (Inch)	Accuracy (Inch)	Dial Reading	INSIZE No.	Code
0.03	0.0005	±0.0005	0-15-0	2383-35A	816372