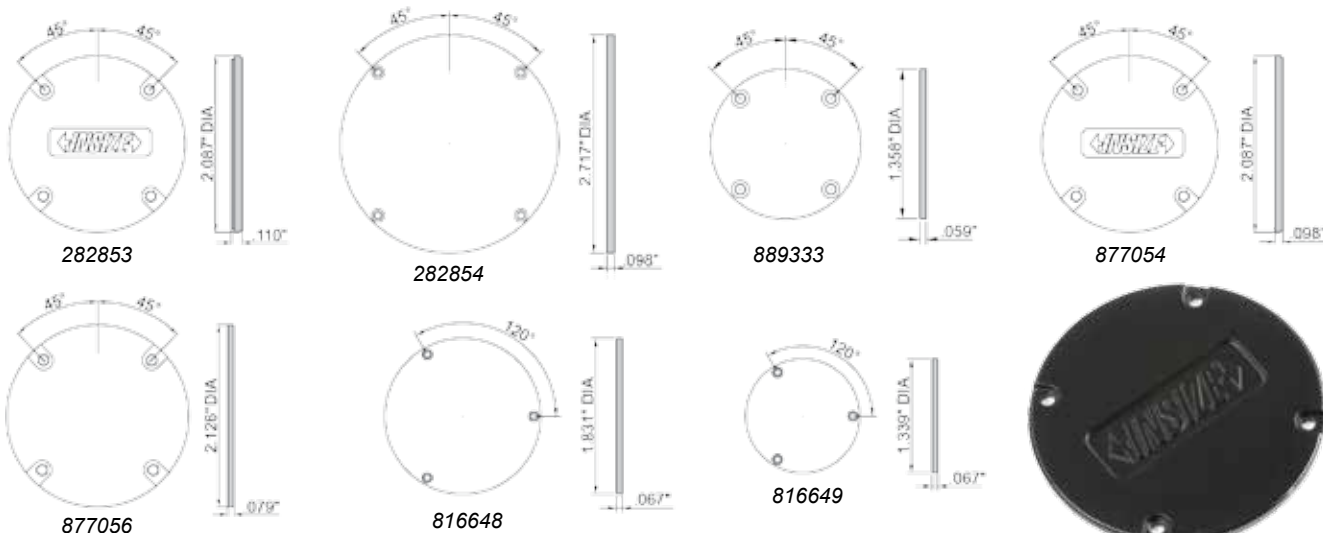
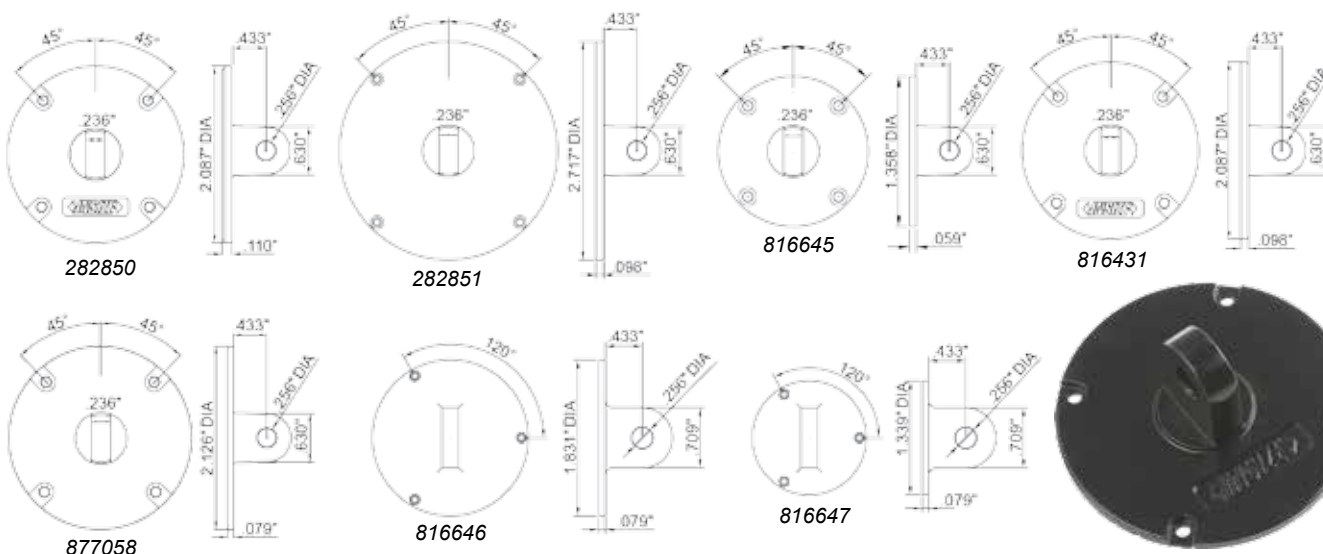


Indicator Flat Backs



| For use with Electronic/Dial Indicators | INSIZE No. | Code |
|--|------------|--------|
| INSIZE series 2315 | 7330-F2 | 282853 |
| INSIZE No. 2326-3 and 2326-4 | 7330-F3 | 282854 |
| INSIZE series 2304 | 7330-F4 | 889333 |
| INSIZE series 2103, 2104, 2112, 2113, and 2115 | 7330-F5 | 877054 |
| INSIZE series 2307 and No. 2326-2 | 7330-F6 | 877056 |
| INSIZE series 2837 | 7330-F7 | 816648 |
| INSIZE series 2832 | 7330-F8 | 816649 |

Indicator Lug Backs



| For use with Electronic/Dial Indicators | INSIZE No. | Code |
|--|------------|--------|
| INSIZE series 2315 | 7330-L2 | 282850 |
| INSIZE No. 2326-3 and 2326-4 | 7330-L3 | 282851 |
| INSIZE series 2304 | 7330-L4 | 816645 |
| INSIZE series 2103, 2104, 2112, 2113, and 2115 | 7330-L5 | 816431 |
| INSIZE series 2307 and No. 2326-2 | 7330-L6 | 877058 |
| INSIZE series 2837 | 7330-L7 | 816646 |
| INSIZE series 2832 | 7330-L8 | 816647 |