

Inside Micrometer

Mitutoyo

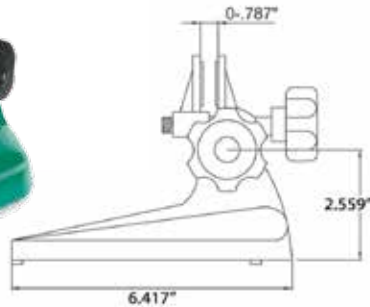


- Micrometer travel: 0.5"
- 5 rods
- Wide range I.D. measurements with interchangeable rods
- Each interchangeable rod is marked with its measuring range
- Sizes of interchangeable rods can be adjusted with spacing collars

Range (Inch)	Graduation (Inch)	Code
2-12	0.001	141-233

Micrometer Stand

INSIZE



- For micrometers up to 4"

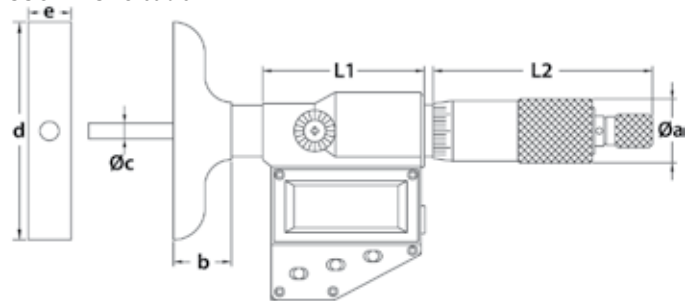
Description	INSIZE No.	Code
Cast stand with 2 separate locking handles	6301	282456

Electronic Depth Micrometer

INSIZE



OPTIONAL ACCESSORY: SPC cable



- Resolution: 0.00005"/0.001mm
- Micrometer head accuracy: $\pm 0.00012''$
- Rod accuracy: $\pm [0.001 + 0.0005 (L/3)]$ (L = measuring range in inch)
- Button function: on/off, set, inch/mm, ABS/INC (absolute and incremental measurements), data output
- IP54 Ingress protection level (dust/coolant proof)
- Automatic power off
- Battery LR44
- Auto power off
- Data output
- Rods with flat end
- Ratchet stop
- Supplied in fitted storage case

Range (Inch/mm)	L1 (Inch)	L2 (Inch)	Øa (Inch)	b (Inch)	Øc (Inch)	d (Inch)	e (Inch)	No. of Rods	INSIZE No.	Code
0-6/0-150	1.850	2.598	0.709	0.669	0.177	3.996	0.669	6	3540-150E	281945
0-12/0-300	1.850	2.598	0.709	0.669	0.177	3.996	0.669	12	3540-300E	281947