

Electronic Three Point Inside Micrometers

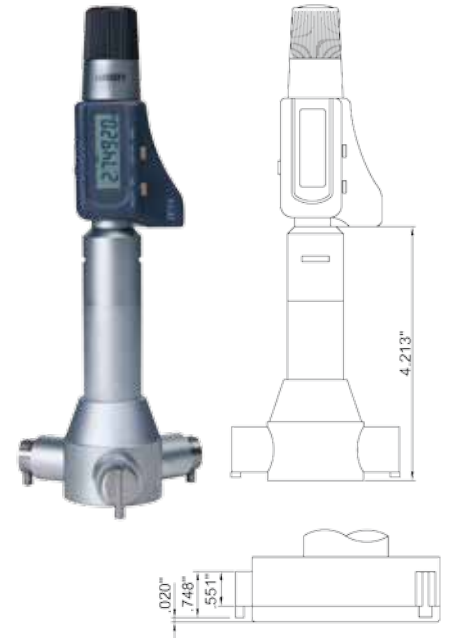


Wide Range – Coolant Proof

- Resolution: 0.00005"/0.001mm
- Coolant/dust proof, IP54 Ingress protection level
- Buttons: on/off, set, inch/mm, ABS/INC
- Data output
- Battery LR44
- Auto power off
- Carbide measuring tips
- Ratchet stop
- Supplied with setting rings and extension rods
- Supplied in fitted storage case



OPTIONAL ACCESSORY: SPC cable



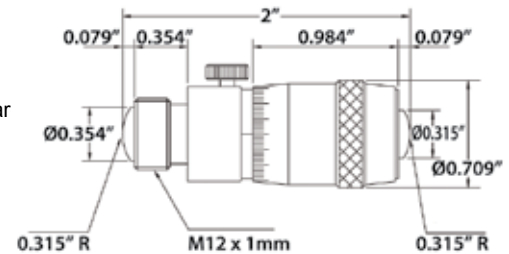
Range (Inch/mm)	Accuracy (Inch)	Ø Setting Ring (Inch)	Extension Rod (Inch)	INSIZE No.	Code
2-2.8/1-71	0.00020	2	6	3128-28	816640
2.8-4/71-101	0.00020	2.8	6	3128-4	816641
4-6/101-152	0.00024	4	6	3128-6	816642
6-10/152-254	0.00032	6	6	3128-10	816643
8-12/203-305	0.00036	8	6	3128-12	816644

Supplied with a Manufacturer Inspection Certificate

Inside Micrometers



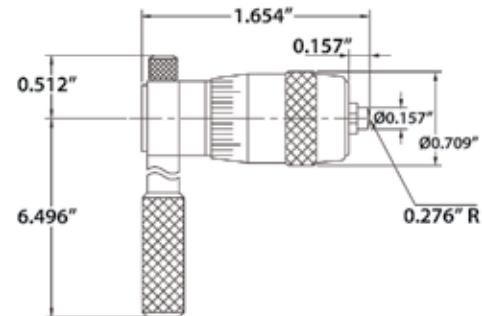
- Graduation: 0.001"
- Micrometer head travel: 0.5"
- Supplied with a setting block stander
- Carbide tips
- Supplied in fitted storage case



Range (Inch)	Accuracy (Inch)	Extension Rods (Inch)	INSIZE No.	Code
2-6	$\pm[(L+2)+n+3] \times 0.00005$ n=Number of Rods L=Max. Measuring Length	0.5, 1, 2	3222-6	281999
2-12		0.5, 1, 2 (2pcs), 4	3222-12	282000
2-20		0.5, 1, 2 (2pcs), 4, 8	3222-20	282001
2-40		0.5, 1, 2, 4 (2pcs), 6, 8 (2pcs), 12	3222-40	282002
2-60		0.5, 1, 2 (2pcs), 4, 8 (3pcs), 12 (2pcs)	3222-60	282003



- Graduation: 0.001"
- Supplied in fitted storage case



Range (Inch)	Accuracy (Inch)	Micrometer Head Travel (Inch)	No. of Extension Rods	INSIZE No.	Code
2-8	$\pm[(L+2) \times 0.00005] + 0.0003$ L=Max. Measuring Length	0.5	6	3221-8	282039
2-12		0.5	10	3221-12	282040
8-20		1	3	3221-20	282042
8-40		1	8	3221-40	282043