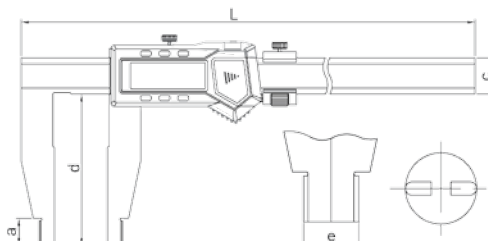
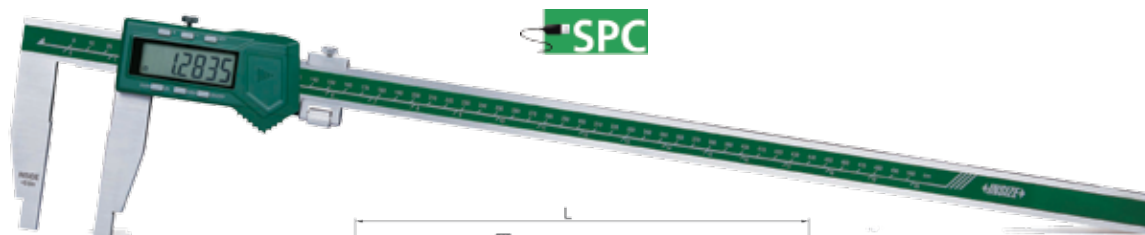


## Long Range Electronic Calipers

24 to 80 Inch/600 to 2000mm

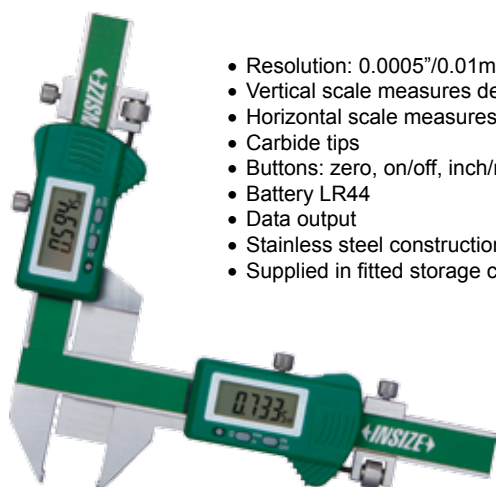


- Resolution: 0.0005"/0.01mm
- Button function: on/off, zero, inch/mm, ABS (absolute and incremental measurement), data preset
- Battery CR2032
- Stainless steel
- Data output
- Supplied in fitted storage case

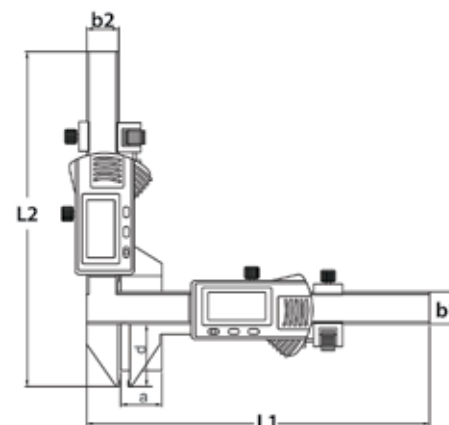
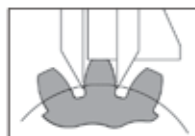
OPTIONAL ACCESSORY: SPC cable

Range (Inch/mm)	Accuracy (Inch)	L (Inch)	a (Inch)	c (Inch)	d (Inch)	e (Inch)	INSIZE No.	Code
0-24/0-600	±0.0020	30.315	0.709	0.945	3.937	0.800	1131-24	876221
0-40/0-1000	±0.0031	48.031	0.945	1.220	5.906	0.800	1131-40	876222
0-60/0-1500	±0.0043	70.079	0.945	1.654	5.906	0.800	1131-60	816618
0-80/0-2000	±0.0055	90.157	0.945	1.654	5.906	0.800	1131-80	280063

## Electronic Gear Tooth Calipers



- Resolution: 0.0005"/0.01mm
- Vertical scale measures depth of teeth from the top to the pitch line
- Horizontal scale measures thickness of teeth in the pitch line
- Carbide tips
- Buttons: zero, on/off, inch/mm
- Battery LR44
- Data output
- Stainless steel construction
- Supplied in fitted storage case



Range	Accuracy (Inch)	L1 (Inch)	L2 (Inch)	a (Inch)	b1 (Inch)	b2 (Inch)	d (Inch)	INSIZE No.	Code
P1-P24	±0.0016	6.693	6.516	0.827	0.630	0.630	1.201	1181-M25A	280658
P1/2-P5	±0.0016	8.661	7.480	1.988	0.630	0.630	2.165	1181-M50A	280659