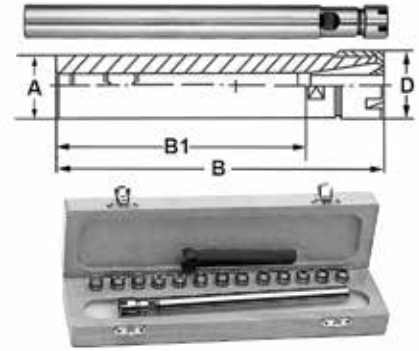
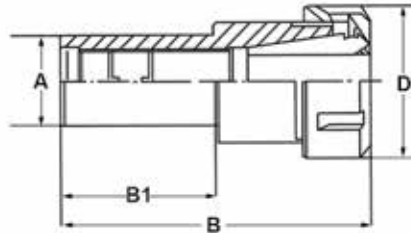


## ER Collet Chucks Straight Shank



Sets include: wrench, chuck and collets (inch) and supplied in a fitted storage case

MILLING

A (Inch)	B (Inch)	B1 (Inch)	D Diameter (Inch)	Nut Style	ER16		ER20	ER25	ER32		ER40
					Chuck Onlu	Set	Chuck Onlu	Chuck Only	Chuck Onlu	Set	Chuck Onlu
					Code	Code	Code	Code	Code	Code	Code
3/8	2-3/4	1-3/4	0.87	Mini	356900	-	-	-	-	-	-
1/2	6-1/2	6	0.87	Mini	356901	-	-	-	-	-	-
5/8	4	3	1.10	Hex	356902	-	-	-	-	-	-
3/4	3	2	1.10	Hex	356904	-	-	-	-	-	-
3/4	5	4	1.10	Hex	356905	-	-	-	-	-	-
1-1/4	3-1/4	2-1/4	1.10	Hex	356908	356945	-	-	-	-	-
5/8	6-1/4	5-1/2	1.10	Hex	356903	-	-	-	-	-	-
3/4	6-1/2	5-1/4	0.87	Mini	356906	-	-	-	-	-	-
1	6-1/4	5-1/2	1.10	Hex	356907	-	-	-	-	-	-
5/8	5-1/2	4	1.10	Mini	-	-	356925	-	-	-	-
3/4	5-1/2	4	1.10	Mini	-	-	356934	-	-	-	-
1	6-1/4	5-1/4	1.10	Mini	-	-	356926	-	-	-	-
5/8	3-1/4	2	1.65	E25	-	-	-	356935	-	-	-
3/4	5-1/4	2	1.65	E25	-	-	-	356936	-	-	-
1	5-1/4	4	1.38	Mini	-	-	-	356937	-	-	-
1	5-1/4	4	1.65	E25	-	-	-	356941	-	-	-
1	3-3/4	2	1.97	E32	-	-	-	-	356917	356919	-
1-1/4	4-1/4	2-1/4	1.97	E32	-	-	-	-	356918	-	-
1	3-3/4	2	2.48	E40	-	-	-	-	-	-	356922
1-1/4	4-1/4	2-1/4	2.48	E40	-	-	-	-	-	-	356923

### Collet Storage Boxes

ER16		ER20		ER25		ER32		ER40	
Collet Capacity	Code	Collet Capacity	Code	Collet Capacity	Code	Collet Capacity	Code	Collet Capacity	Code
10	356929	12	356930	15	356933	18	356931	23	356932