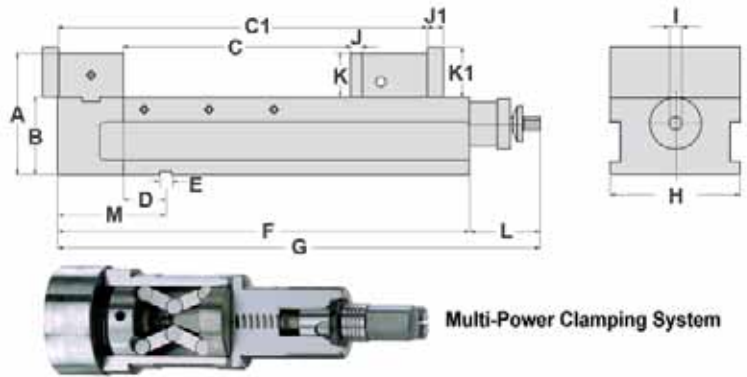


## Multi-Power CNC Super Vises

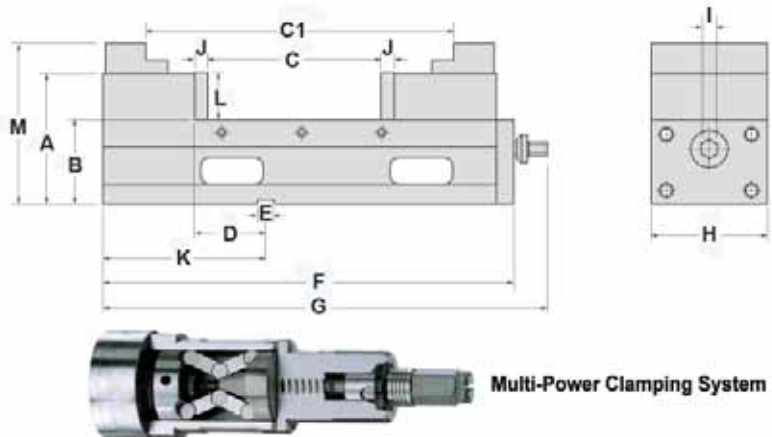
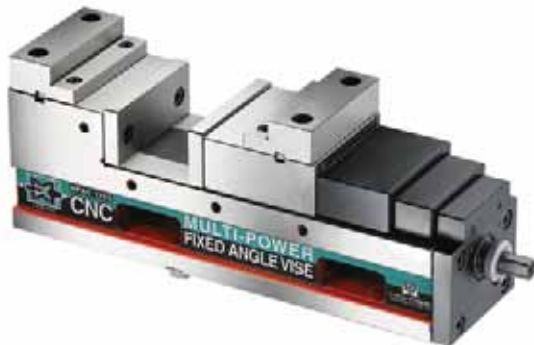


- Material: FCD 60 ductile iron; Hardness: 50 HRC
- Short length with large jaw opening
- Extremely high accuracy and repeatability
- Special Multi-Power design enhances clamping force up to 8000 kg

STANDARD ACCESSORIES: 2 alignment wedges, 4 clamps

Model	A (mm)	B (mm)	C (mm)	C1 (mm)	D (mm)	E (mm)	F (mm)	G (mm)	H (mm)	I (mm)	J (mm)	J1 (mm)	K (mm)	K1 (mm)	L (mm)	M (mm)	Weight (kg)	Code
HPAQ-160	168	115 ±0.01	0-300	195-490	57 ±0.02	18	560	677	160	19	15	21	53	63	117	145	73	277000
HPAQ-200	187	120 ±0.01	0-350	220-570	66 ±0.02	18	637	754	200	19	18	25	66	75	117	168	120	277002

## Multi-Power CNC Precision Fixed Angle Vise



- Material: FCD 60 ductile iron; Hardness: 50 HRC
- Mounts horizontally or vertically
- Short length with large jaw opening
- Extremely high accuracy and repeatability
- Special Multi-Power design enhances clamping force up to 8000 kg

STANDARD ACCESSORIES: 2 alignment wedges, 4 clamps

Model	A (mm)	B (mm)	C (mm)	C1 (mm)	D (mm)	E (mm)	F (mm)	G (mm)	H (mm)	I (mm)	J (mm)	K (mm)	L (mm)	M (mm)	Weight (kg)	Code
HPAC-160S	160	105 ±0.01	0-250	190-430	80 ±0.02	18	532	580	160	19	15	183	58	196	64	277005