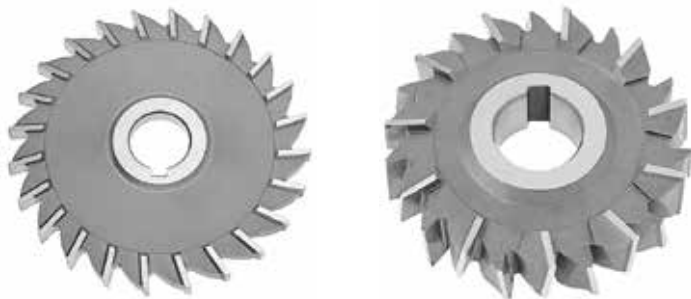


## Side Milling Cutters

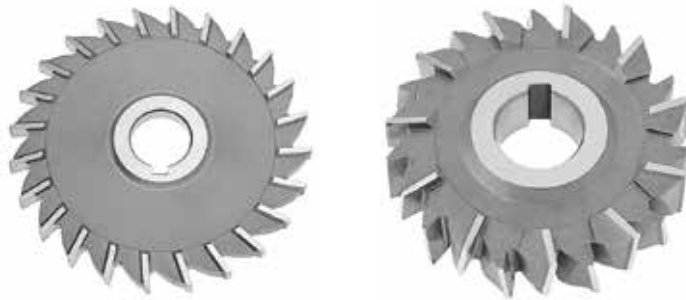
High Speed Steel – Plain & Staggered Tooth



Diameter (Inch)	Hole Size (Inch)	Face Width (Inch)	Plain		Staggered		Diameter (Inch)	Hole Size (Inch)	Face Width (Inch)	Plain		Staggered	
			No. of Teeth	Code	No. of Teeth	Code				No. of Teeth	Code	No. of Teeth	Code
2	1/2	3/16	14	603220	–	–	3	1-1/4	3/16	18	603266	16	603025
2	1/2	1/4	14	603221	–	–	3	1-1/4	7/32	18	603267	–	–
2	1/2	5/16	14	603222	–	–	3	1-1/4	1/4	18	603268	16	603026
2	1/2	3/8	14	603223	–	–	3	1-1/4	9/32	18	603269	–	–
2	5/8	3/16	14	603224	–	–	3	1-1/4	5/16	18	603270	16	603027
2	5/8	1/4	14	603225	–	–	3	1-1/4	3/8	18	603272	16	603028
2	5/8	5/16	14	603226	–	–	3	1-1/4	13/32	18	603273	–	–
2	5/8	3/8	14	603227	–	–	3	1-1/4	7/16	18	603274	16	603029
2	7/8	1/4	14	603228	–	–	3	1-1/4	1/2	18	603275	16	603030
2	7/8	5/16	14	603229	–	–	3	1-1/4	9/16	18	603276	–	–
2	7/8	3/8	14	603230	–	–	3	1-1/4	5/8	18	603277	16	603032
2	7/8	7/16	14	603231	–	–	3	1-1/4	11/16	18	603278	16	603033
2-1/2	7/8	3/16	16	603232	16	603000	3	1-1/4	3/4	18	603279	16	603034
2-1/2	7/8	1/4	16	603233	16	603001	3	1-1/4	13/16	18	603280	16	603035
2-1/2	7/8	5/16	16	603234	16	603002	3	1-1/4	7/8	18	603281	16	603036
2-1/2	7/8	3/8	16	603235	16	603003	3	1-1/4	15/16	18	603282	16	603037
2-1/2	7/8	7/16	16	603236	–	–	3	1-1/4	1	18	603283	16	603038
2-1/2	7/8	1/2	16	603237	16	603004	3-1/2	1	3/16	20	603284	–	–
2-1/2	7/8	9/16	16	603238	–	–	3-1/2	1	1/4	20	603285	18	603039
2-1/2	7/8	5/8	16	603239	–	–	3-1/2	1	5/16	20	603286	–	–
2-1/2	1	3/16	16	603240	–	–	3-1/2	1	3/8	20	603287	18	603040
2-1/2	1	1/4	16	603241	16	603005	3-1/2	1	7/16	20	603288	–	–
2-1/2	1	5/16	16	603242	–	–	3-1/2	1	1/2	20	603289	18	603401
2-1/2	1	3/8	16	603243	–	–	3-1/2	1	5/8	20	603290	18	603042
2-1/2	1	7/16	16	603244	16	603006	3-1/2	1-1/4	1/2	20	603292	–	–
2-1/2	1	1/2	16	603245	16	603007	4	1	3/16	22	603293	18	603044
2-1/2	1	9/16	16	603246	–	–	4	1	7/32	22	603294	18	603045
2-1/2	1	5/8	16	603247	–	–	4	1	1/4	22	603295	18	603046
3	1	3/16	18	603248	16	603008	4	1	9/32	22	603296	18	603047
3	1	7/32	18	603249	16	603009	4	1	5/16	22	603297	18	603048
3	1	1/4	18	603250	16	603010	4	1	11/32	22	603298	18	603049
3	1	9/32	18	603251	16	603011	4	1	3/8	22	603299	18	603050
3	1	5/16	18	603252	16	603012	4	1	7/16	22	603300	18	603051
3	1	11/32	18	603253	–	–	4	1	13/32	22	603301	–	–
3	1	3/8	18	603254	16	603014	4	1	1/2	22	603302	18	603052
3	1	13/32	18	603255	–	–	4	1	9/16	22	603303	18	603053
3	1	7/16	18	603256	16	603015	4	1	5/8	22	603304	18	603054
3	1	1/2	18	603257	16	603016	4	1	11/16	22	603305	–	–
3	1	9/16	18	603258	16	603017	4	1	3/4	22	603306	18	603055
3	1	5/8	18	603259	16	603018	4	1	13/16	22	603307	18	603056
3	1	11/16	18	603260	16	603019	4	1	7/8	22	603308	18	603057
3	1	3/4	18	603261	16	603020	4	1	15/16	22	603309	18	603058
3	1	13/16	18	603262	16	603021	4	1	1	22	603310	18	603059
3	1	7/8	18	603263	16	603022	4	1	1-1/8	22	603311	–	–
3	1	15/16	18	603264	–	–	4	1	1-1/2	22	603313	–	–
3	1	1	18	603265	16	–	4	1-1/4	3/16	22	603314	18	603060

## Side Milling Cutters

High Speed Steel – Staggered & Plain Tooth (continued)



Diameter (Inch)	Hole Size (Inch)	Face Width (Inch)	Plain		Staggered		Diameter (Inch)	Hole Size (Inch)	Face Width (Inch)	Plain		Staggered	
			No. of Teeth	Code	No. of Teeth	Code				No. of Teeth	Code	No. of Teeth	Code
4	1-1/4	7/32	22	603315	18	603061	5	1-1/4	7/16	24	603359	22	603097
4	1-1/4	1/4	22	603316	18	603062	5	1-1/4	1/2	24	603360	22	603098
4	1-1/4	9/32	22	603317	18	603063	5	1-1/4	9/16	24	603361	–	–
4	1-1/4	5/16	22	603318	18	603064	5	1-1/4	5/8	24	603362	22	603100
4	1-1/4	11/32	22	603319	18	–	5	1-1/4	11/16	24	603363	22	603101
4	1-1/4	3/8	22	603320	18	603066	5	1-1/4	3/4	24	603364	22	603102
4	1-1/4	7/16	22	603321	18	603067	5	1-1/4	13/16	24	603365	–	–
4	1-1/4	13/32	22	603322	–	–	5	1-1/4	7/8	24	603366	22	–
4	1-1/4	1/2	22	603323	18	603068	5	1-1/4	15/16	24	603367	–	–
4	1-1/4	9/16	22	603324	18	603069	5	1-1/4	1	24	603368	22	603105
4	1-1/4	5/8	22	603325	18	603070	5	1-1/4	1-1/4	24	603369	–	–
4	1-1/4	11/16	22	603326	–	–	6	1	1/4	26	603370	24	603106
4	1-1/4	3/4	22	603327	18	603072	6	1	5/16	26	603371	24	603108
4	1-1/4	13/16	22	603328	18	603073	6	1	3/8	26	603372	24	603109
4	1-1/4	7/8	22	603329	18	603074	6	1	7/16	26	603373	24	603110
4	1-1/4	15/16	22	603330	18	603075	6	1	1/2	26	603374	24	603111
4	1-1/4	1	22	603331	18	603076	6	1	9/16	26	603375	24	603112
4	1-1/4	1-1/8	22	603332	–	–	6	1	5/8	26	603376	24	603113
4	1-1/4	1-3/16	–	–	18	603078	6	1	11/16	26	603377	24	603114
4	1-1/4	1-1/4	22	603333	18	603079	6	1	3/4	26	603378	24	603115
4	1-1/4	1-1/2	22	603334	18	603080	6	1	13/16	26	603379	–	–
4-1/2	1	1/2	–	–	20	603081	6	1	7/8	26	603380	24	603117
4-1/2	1-1/4	3/8	24	603335	–	–	6	1	15/16	26	–	24	603118
4-1/2	1-1/4	1/2	24	603336	20	603082	6	1	1	26	603382	24	603119
5	1	1/4	24	603337	22	603083	6	1	1-1/4	26	603383	–	–
5	1	9/32	24	603338	–	–	6	1-1/4	1/4	26	603384	24	603120
5	1	5/16	24	603339	22	603084	6	1-1/4	9/32	26	603385	24	603121
5	1	11/32	24	603340	–	–	6	1-1/4	5/16	26	603386	24	603122
5	1	3/8	24	603341	22	603085	6	1-1/4	11/32	26	603387	–	–
5	1	13/32	24	603342	–	–	6	1-1/4	3/8	26	603388	24	603123
5	1	7/16	24	603343	22	603086	6	1-1/4	13/32	26	603389	–	–
5	1	1/2	24	603344	22	603087	6	1-1/4	7/16	26	603390	24	603124
5	1	9/16	24	603345	–	–	6	1-1/4	1/2	26	603391	24	603125
5	1	5/8	24	603346	22	603089	6	1-1/4	9/16	26	603392	24	603126
5	1	11/16	24	603347	–	–	6	1-1/4	5/8	26	603393	24	603127
5	1	3/4	24	603348	22	603091	6	1-1/4	11/16	26	603394	24	603128
5	1	13/16	24	603349	–	–	6	1-1/4	3/4	26	603395	24	603129
5	1	7/8	24	603350	22	603093	6	1-1/4	13/16	26	603396	–	–
5	1	15/16	24	603351	–	–	6	1-1/4	7/8	26	603397	24	603131
5	1	1	24	603352	–	–	6	1-1/4	15/16	26	603398	24	603132
5	1-1/4	1/4	24	603353	22	603094	6	1-1/4	1	26	603399	24	603133
5	1-1/4	9/32	24	603354	–	–	6	1-1/4	1-1/8	26	603400	–	–
5	1-1/4	5/16	24	603355	22	603095	6	1-1/4	1-1/4	26	603401	24	603136
5	1-1/4	11/32	24	603356	–	–	6	1-1/4	1-1/2	–	–	24	603137
5	1-1/4	3/8	24	603357	22	603096							
5	1-1/4	13/32	24	603358	–	–							



## Metal Slitting Saws

High Speed Steel  
With Side Chip Clearance  
Plain & Staggered Tooth



Diameter (Inch)	Thickness (Inch)	Bore Diameter (Inch)	Plain		Staggered		Diameter (Inch)	Thickness (Inch)	Bore Diameter (Inch)	Plain		Staggered	
			No. of Teeth	Code	No. of Teeth	Code				No. of Teeth	Code	No. of Teeth	Code
2-1/2	3/32	7/8	28	602000	—	—	5	3/32	1	40	602017	—	—
2-1/2	1/8	7/8	28	602001	—	—	5	3/32	1-1/4	40	602018	—	—
3	5/64	1	32	602002	—	—	5	1/8	1	40	602019	—	—
3	3/32	1	32	602003	—	—	5	1/8	1-1/4	40	602020	38	602041
3	7/64	1	32	602004	—	—	5	5/32	1	40	602021	—	—
3	1/8	1	32	602005	32	602032	5	5/32	1-1/4	40	602022	—	—
3	9/64	1	32	602006	—	—	5	3/16	1	40	602023	38	602042
3	5/32	1	32	602007	32	602033	5	3/16	1-1/4	40	602024	38	602043
3	3/16	1	32	602008	32	602034	5	1/4	1	—	—	38	602044
3	1/4	1	—	—	32	602035	6	1/8	1	42	602025	—	—
3	7/32	1	32	602009	—	—	6	1/8	1-1/4	42	602026	42	602045
4	3/32	1	36	602010	—	—	6	5/32	1-1/4	—	—	42	602046
4	7/64	1	36	602011	—	—	6	3/16	1	42	602027	42	602047
4	1/8	1	36	602012	—	—	6	3/16	1-1/4	42	602028	42	602048
4	9/64	1	36	602013	34	602036	6	1/4	1	—	—	42	602049
4	5/32	1	36	602014	34	602037	6	1/4	1-1/4	—	—	42	602050
4	3/16	1	36	602015	34	602038	8	1/8	1-1/4	48	602029	—	—
4	3/16	1-1/4	36	602016	—	—	8	3/16	1-1/4	48	602030	50	602051
4	1/4	1	—	—	34	602039	8	1/4	1-1/4	48	602031	50	602052
4	1/4	1-1/4	—	—	34	602040	10	1/4	1-1/4	—	—	50	602053

## Plain Metal Slitting Saws

High Speed Steel



Diameter (Inch)	Width of Face (Inch)	Bore Diameter (Inch)	No. of Teeth	Code	Diameter (Inch)	Width of Face (Inch)	Bore Diameter (Inch)	No. of Teeth	Code	Diameter (Inch)	Width of Face (Inch)	Bore Diameter (Inch)	No. of Teeth	Code
2	1/16	1/2	28	602054	3	1/32	1	30	602064	3-1/2	1/32	1	30	602074
2	1/8	1/2	28	602055	3	3/64	1	30	602065	3-1/2	3/64	1	30	602075
2-1/2	3/64	3/8	28	602056	3	1/16	1	30	602066	3-1/2	1/16	1	30	602076
2-1/2	1/32	7/8	28	602057	3	5/64	1	30	602067	3-1/2	3/32	1	30	602077
2-1/2	3/64	7/8	28	602058	3	3/32	1	30	602068	3-1/2	1/8	1	30	602078
2-1/2	1/16	7/8	28	602059	3	7/64	1	30	602069	3-1/2	3/16	1	30	602079
2-1/2	3/32	7/8	28	602060	3	1/8	1	30	602070	4	1/64	1	36	602080
2-1/2	1/8	7/8	28	602061	3	9/64	1	30	602071	4	1/32	1	36	602081
2-1/2	1/16	1	28	602062	3	5/32	1	30	602072	4	3/64	1	36	602082
3	1/64	1	30	602063	3	3/16	1	30	602073	4	1/16	1	36	602083

## Plain Metal Slitting Saws

High Speed Steel (continued)

Diameter (Inch)	Width of Face (Inch)	Bore Diameter (Inch)	No. of Teeth	Code	Diameter (Inch)	Width of Face (Inch)	Bore Diameter (Inch)	No. of Teeth	Code	Diameter (Inch)	Width of Face (Inch)	Bore Diameter (Inch)	No. of Teeth	Code
4	5/64	1	36	602084	5	7/64	1	40	602100	6	9/64	1	42	602116
4	3/32	1	36	602085	5	1/8	1	40	602101	6	5/32	1	42	602117
4	7/64	1	36	602086	5	9/64	1	40	602102	6	3/16	1	42	602118
4	1/8	1	36	602087	5	5/32	1	40	602103	6	1/16	1-1/4	42	602119
4	9/64	1	36	602088	5	3/16	1	40	602104	6	3/32	1-1/4	42	602120
4	5/32	1	36	602089	5	1/16	1-1/4	40	602105	6	1/8	1-1/4	42	602121
4	3/16	1	36	602090	5	3/32	1-1/4	40	602106	6	5/32	1-1/4	42	602122
4-1/2	1/32	1	36	602091	5	1/8	1-1/4	40	602107	6	3/16	1-1/4	42	602123
4-1/2	3/64	1	36	602092	5	5/32	1-1/4	40	602108	8	1/8	1	48	602124
4-1/2	1/16	1	36	602093	5	3/16	1-1/4	40	602109	8	3/16	1	48	602125
4-1/2	3/32	1	36	602094	6	3/64	1	42	602110	8	3/32	1-1/4	48	602126
4-1/2	1/8	1	36	602095	6	1/16	1	42	602111	8	1/8	1-1/4	48	602127
5	3/64	1	40	602096	6	5/64	1	42	602112	8	3/16	1-1/4	48	602128
5	1/16	1	40	602097	6	3/32	1	42	602113	10	1/8	1-1/4	56	602129
5	5/64	1	40	602098	6	7/64	1	42	602114	10	3/16	1-1/4	56	602130
5	3/32	1	40	602099	6	1/8	1	42	602115	10	3/32	1-1/4	56	602131
										10	1/4	1-1/4	56	602132

## Slotting Saws

High Speed Steel – Jeweler’s Type – Ground Teeth & Sides



- For slotting very thin material, or cutting wire, thin tubing, extrusions, etc.

Diameter (Inch)	Width of Face (Inch)	Hole Size (Inch)	No. of Teeth	Code	Diameter (Inch)	Width of Face (Inch)	Hole Size (Inch)	No. of Teeth	Code	Diameter (Inch)	Width of Face (Inch)	Hole Size (Inch)	No. of Teeth	Code
1	0.032	3/8	76	602133	1-1/2	0.016	1/2	110	602153	2	0.012	1/2	190	602173
1	0.025	3/8	76	602134	1-1/2	0.012	1/2	140	602154	2	0.010	1/2	190	602174
1	0.020	3/8	76	602135	1-1/2	0.010	1/2	140	602155	2	0.008	1/2	190	602175
1	0.018	3/8	76	602136	1-1/2	0.008	1/2	140	602156	2-1/2	0.051	1/2	140	602176
1	0.014	3/8	76	602137	1-3/4	0.032	1/2	132	602157	2-1/2	0.045	1/2	140	602177
1	0.012	3/8	98	602138	1-3/4	0.025	1/2	132	602158	2-1/2	0.040	1/2	140	602178
1	0.010	3/8	98	602139	1-3/4	0.020	1/2	132	602159	2-1/2	0.032	1/2	140	602179
1	0.008	3/8	98	602140	1-3/4	0.016	1/2	132	602160	2-1/2	0.025	1/2	190	602180
1-1/4	0.032	3/8	98	602141	1-3/4	0.014	1/2	132	602161	2-1/2	0.020	1/2	190	602181
1-1/4	0.025	3/8	98	602142	1-3/4	0.012	1/2	160	602162	2-1/2	0.016	1/2	190	602182
1-1/4	0.020	3/8	98	602143	1-3/4	0.010	1/2	160	602163	2-1/2	0.012	1/2	240	602183
1-1/4	0.016	3/8	98	602144	1-3/4	0.008	1/2	160	602164	2-1/2	0.010	1/2	240	602184
1-1/4	0.014	3/8	98	602145	2	0.057	1/2	110	602165	3	0.057	1/2	168	602185
1-1/4	0.012	3/8	120	602146	2	0.051	1/2	110	602166	3	0.057	1	168	602186
1-1/4	0.010	3/8	120	602147	2	0.045	1/2	110	602167	3	0.045	1/2	168	602187
1-1/4	0.008	3/8	120	602148	2	0.032	1/2	110	602168	3	0.045	1	168	602188
1-1/2	0.032	1/2	110	602149	2	0.025	1/2	152	602169	3	0.040	1/2	168	602189
1-1/2	0.025	1/2	110	602150	2	0.020	1/2	152	602170	3	0.040	1	168	602190
1-1/2	0.023	1/2	110	602151	2	0.018	1/2	152	602171	3	0.032	1/2	168	602191
1-1/2	0.020	1/2	110	602152	2	0.014	1/2	152	602172	3	0.032	1	168	602192

## Slotting Saws

High Speed Steel – Jeweler's Type – Ground Teeth & Sides (continued)

Diameter (Inch)	Width of Face (Inch)	Hole Size (Inch)	No. of Teeth	Code	Diameter (Inch)	Width of Face (Inch)	Hole Size (Inch)	No. of Teeth	Code	Diameter (Inch)	Width of Face (Inch)	Hole Size (Inch)	No. of Teeth	Code
3	0.025	1/2	230	602193	4	0.018	1/2	310	602220	5	0.025	1	380	602232
3	0.025	1	230	602194	4	0.018	1	310	602221	6	0.102	1	232	602233
3	0.023	1/2	230	602195	4	0.016	1/2	310	602222	6	0.091	1	232	602234
3	0.023	1	230	602196	4	0.016	1	310	602223	6	0.081	1	232	602235
3	0.020	1/2	230	602197	5	0.064	1	280	602224	6	0.072	1	232	602236
3	0.020	1	230	602198	5	0.057	1	280	602225	6	0.064	1	232	602237
3	0.018	1/2	230	602199	5	0.051	1	280	602226	6	0.057	1	232	602238
3	0.016	1/2	230	602201	5	0.045	1	280	602227	6	0.051	1/2	232	602239
3	0.012	1/2	280	602205	5	0.040	1	280	602228	6	0.051	1	232	602240
3	0.010	1/2	280	602207	5	0.032	1/2	280	602229	6	0.045	1	340	602241
4	0.051	1/2	220	602211	5	0.032	1	280	602230	6	0.040	1	340	602242
4	0.045	1	220	602213	5	0.025	1/2	380	602231	6	0.035	1	340	602243
4	0.040	1	220	602215										
4	0.020	1/2	310	602218										

## Screw Slotting Saws

High Speed Steel – 56, 60, 72 & 90 Teeth



TOLERANCES:  
 Outside diameter ±0.015"  
 Hole diameter ±0.001"  
 Width ±0.001"

Diameter (Inch)	Width of Face (Inch)	Hole Size (Inch)	No. of Teeth	Code	Diameter (Inch)	Width of Face (Inch)	Hole Size (Inch)	No. of Teeth	Code	Diameter (Inch)	Width of Face (Inch)	Hole Size (Inch)	No. of Teeth	Code
1-3/4	0.010	1/2	90	602244	2-1/4	0.018	5/8	60	602270	2-3/4	0.040	3/4	72	602296
1-3/4	0.013	1/2	90	602245	2-1/4	0.020	5/8	60	602271	2-3/4	0.045	3/4	72	602297
1-3/4	0.020	1/2	90	602246	2-1/4	0.023	5/8	60	602272	2-3/4	0.051	3/4	72	602298
1-3/4	0.008	5/8	90	602247	2-1/4	0.025	5/8	60	602273	2-3/4	0.057	3/4	72	602299
1-3/4	0.010	5/8	90	602248	2-1/4	0.028	5/8	60	602274	2-3/4	0.064	3/4	72	602300
1-3/4	0.012	5/8	90	602249	2-1/4	0.032	5/8	60	602275	2-3/4	0.072	3/4	72	602301
1-3/4	0.014	5/8	90	602250	2-1/4	0.036	5/8	60	602276	2-3/4	0.081	3/4	72	602302
1-3/4	0.016	5/8	90	602251	2-1/4	0.040	5/8	60	602277	2-3/4	0.091	3/4	72	602303
1-3/4	0.018	5/8	90	602252	2-1/4	0.045	5/8	60	602278	2-3/4	0.102	3/4	72	602304
1-3/4	0.020	5/8	90	602253	2-1/4	0.051	5/8	60	602279	2-3/4	0.114	3/4	72	602305
1-3/4	0.023	5/8	90	602254	2-1/4	0.057	5/8	60	602280	2-3/4	0.128	3/4	72	602306
1-3/4	0.025	5/8	90	602255	2-1/4	0.064	5/8	60	602281	2-3/4	0.162	3/4	72	602307
1-3/4	0.028	5/8	90	602256	2-1/4	0.072	5/8	60	602282	2-3/4	0.182	3/4	72	602308
1-3/4	0.032	5/8	90	602257	2-1/4	0.081	5/8	60	602283	2-3/4	0.010	1	72	602309
1-3/4	0.036	5/8	90	602258	2-1/4	0.091	5/8	60	602284	2-3/4	0.012	1	72	602310
1-3/4	0.040	5/8	90	602259	2-1/4	0.102	5/8	60	602285	2-3/4	0.013	1	72	602311
1-3/4	0.045	5/8	90	602260	2-3/4	0.010	3/4	72	602286	2-3/4	0.014	1	72	602312
1-3/4	0.051	5/8	90	602261	2-3/4	0.012	3/4	72	602287	2-3/4	0.016	1	72	602313
1-3/4	0.057	5/8	90	602262	2-3/4	0.016	3/4	72	602288	2-3/4	0.018	1	72	602314
1-3/4	0.064	5/8	90	602263	2-3/4	0.018	3/4	72	602289	2-3/4	0.020	1	72	602315
1-3/4	0.072	5/8	90	602264	2-3/4	0.020	3/4	72	602290	2-3/4	0.023	1	72	602316
2-1/4	0.008	5/8	60	602265	2-3/4	0.023	3/4	72	602291	2-3/4	0.025	1	72	602317
2-1/4	0.010	5/8	60	602266	2-3/4	0.025	3/4	72	602292	2-3/4	0.028	1	72	602318
2-1/4	0.012	5/8	60	602267	2-3/4	0.028	3/4	72	602293	2-3/4	0.032	1	72	602319
2-1/4	0.014	5/8	60	602268	2-3/4	0.032	3/4	72	602294	2-3/4	0.035	1	72	602320
2-1/4	0.016	5/8	60	602269	2-3/4	0.036	3/4	72	602295	2-3/4	0.036	1	72	602321

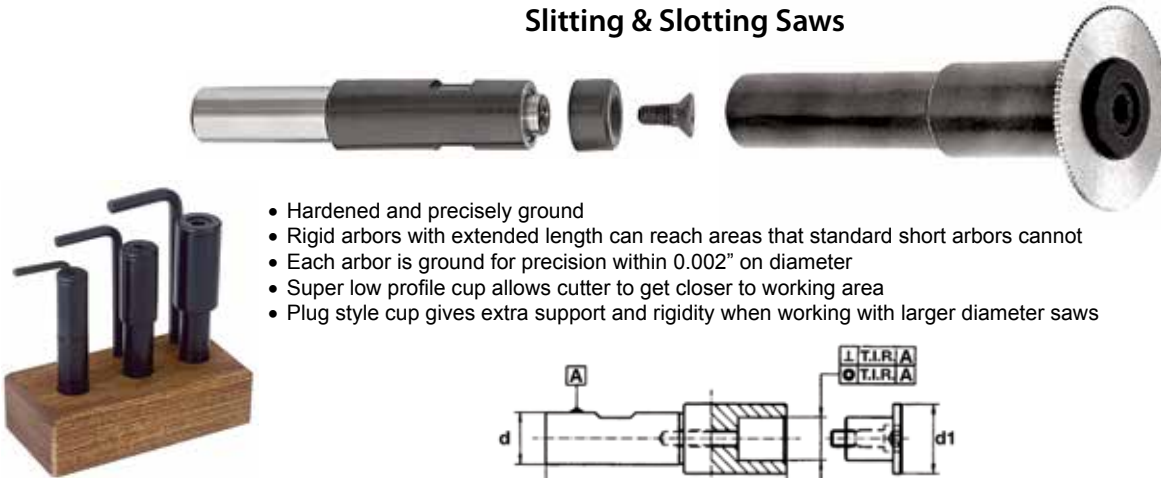
## Screw Slotting Saws

High Speed Steel – 56, 60, 72 & 90 Teeth (continued)

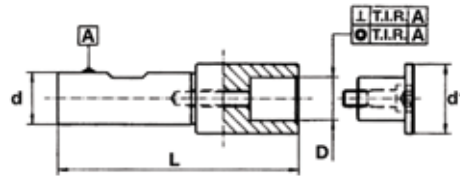
Diameter (Inch)	Width of Face (Inch)	Hole Size (Inch)	No. of Teeth	Code	Diameter (Inch)	Width of Face (Inch)	Hole Size (Inch)	No. of Teeth	Code	Diameter (Inch)	Width of Face (Inch)	Hole Size (Inch)	No. of Teeth	Code
2-3/4	0.040	1	72	602322	2-3/4	0.010	1	56	602336	2-3/4	0.051	1	56	602350
2-3/4	0.045	1	72	602323	2-3/4	0.012	1	56	602337	2-3/4	0.057	1	56	602351
2-3/4	0.051	1	72	602324	2-3/4	0.013	1	56	602338	2-3/4	0.064	1	56	602352
2-3/4	0.057	1	72	602325	2-3/4	0.014	1	56	602339	2-3/4	0.072	1	56	602353
2-3/4	0.064	1	72	602326	2-3/4	0.016	1	56	602340	2-3/4	0.081	1	56	602354
2-3/4	0.072	1	72	602327	2-3/4	0.018	1	56	602341	2-3/4	0.091	1	56	602355
2-3/4	0.081	1	72	602328	2-3/4	0.020	1	56	602342	2-3/4	0.102	1	56	602356
2-3/4	0.091	1	72	602329	2-3/4	0.023	1	56	602343	2-3/4	0.114	1	56	602357
2-3/4	0.102	1	72	602330	2-3/4	0.025	1	56	602344	2-3/4	0.128	1	56	602358
2-3/4	0.114	1	72	602331	2-3/4	0.028	1	56	602345	2-3/4	0.144	1	56	602359
2-3/4	0.128	1	72	602332	2-3/4	0.032	1	56	602346	2-3/4	0.162	1	56	602360
2-3/4	0.144	1	72	602333	2-3/4	0.036	1	56	602347					
2-3/4	0.162	1	72	602334	2-3/4	0.040	1	56	602348					
2-3/4	0.182	1	72	602335	2-3/4	0.045	1	56	602349					

## Saw Arbors

Slitting & Slotting Saws



- Hardened and precisely ground
- Rigid arbors with extended length can reach areas that standard short arbors cannot
- Each arbor is ground for precision within 0.002" on diameter
- Super low profile cup allows cutter to get closer to working area
- Plug style cup gives extra support and rigidity when working with larger diameter saws



0.002" T.I.R.

d Shank Diameter (Inch)	D Hole Size (Inch)	d1 (Inch)	L (Inch)	Code	d Shank Diameter (Inch)	D Hole Size (Inch)	d1 (Inch)	L (Inch)	Code
0.500	0.250	0.500	2.700	602362	0.750	0.625	1.000	3.530	602366
0.500	0.375	0.625	2.880	602363	0.750	1.000	1.500	3.780	602367
0.500	0.500	0.750	3.070	602364	0.750	1.250	1.750	4.030	602368
<b>SETS – 3 Pieces – Sizes 0.250", 0.375" and 0.500"</b>				602365	<b>SETS – 3 Pieces – Sizes 0.625", 0.375" and 1.250"</b>				602369

## Weldon & R8 Shanks



- Rigid and precision design
- This versatile arbor offers flexibility in sawing operations
- The spring loaded mechanism accepts saw blades with hole diameters from 1/2" to 1"
- The saw blades are firmly secured in position with a hex socket screw
- Rust resistant, black oxide finish
- Arbors are provided with one hex wrench and one screw

Shank Size	Inside Hole Diameters (Inch)	Overall Length (Inch)	Code
1/2" Weldon	1/2, 5/8, 3/4, 7/8, 1	2-9/16	417170
R8	1/2, 5/8, 3/4, 7/8, 1	5-3/32	602378

STUB ARBOR ADAPTERS ON PAGE 398

## Woodruff Keyseat Cutters

High Speed Steel

1/2" Shanks

Straight & Staggered Tooth



American Standard	Diameter (Inch)	Face Width (Inch)	Straight Tooth	Staggered Tooth	American Standard	Diameter (Inch)	Face Width (Inch)	Straight Tooth	Staggered Tooth
			Code	Code				Code	Code
202	1/4	1/16	603529	603570	608	1	3/16	603549	603590
202-1/2	5/16	1/16	603530	603571	708	1	7/32	603550	603591
302-1/2	5/16	3/32	603531	603572	1208	1	3/8	603551	603592
203	3/8	1/16	603532	603573	609	1-1/8	3/16	603552	603593
303	3/8	3/32	603533	603574	807	7/8	1/4	603553	603594
403	3/8	1/8	603534	603575	808	1	1/4	603554	603595
204	1/2	1/16	603535	603576	709	1-1/8	7/32	603555	603596
304	1/2	3/32	603536	603577	809	1-1/8	1/4	603556	603597
305	5/8	3/32	603537	603578	610	1-1/4	3/16	603557	603598
404	1/2	1/8	603538	603579	710	1-1/4	7/32	603558	603599
405	5/8	1/8	603539	603580	810	1-1/4	1/4	603559	603600
406	3/4	1/8	603540	603581	811	1-3/8	1/4	603560	603601
505	5/8	5/32	603541	603582	812	1-1/2	1/4	603561	603602
605	5/8	3/16	603542	603583	1008	1	5/16	603562	603603
506	3/4	5/32	603543	603584	1009	1-1/8	5/16	603563	603604
806	3/4	1/4	603544	603585	1010	1-1/4	5/16	603564	603605
507	7/8	5/32	603545	603586	1011	1-3/8	5/16	603565	603606
606	3/4	3/16	603546	603587	1012	1-1/2	5/16	603566	603607
607	7/8	3/16	603547	603588	1210	1-1/4	3/8	603567	603608
707	7/8	7/32	603548	603589	1211	1-3/8	3/8	603568	603609
					1212	1-1/2	3/8	603569	603610

## Slotting Cutters

Cobalt M42 – Staggered Tooth – Weldon Shank



- Used for a wide variety of slotting and milling operations in both ferrous and nonferrous materials
- For use on manual and CNC machines
- M42 cobalt for difficult-to-machine materials

Cutter Diameter (Inch)	Cutter Width (Inch)	Shank Diameter (Inch)	No. of Teeth	Overall Length (Inch)	Code	Cutter Diameter (Inch)	Cutter Width (Inch)	Shank Diameter (Inch)	No. of Teeth	Overall Length (Inch)	Code
1	1/8	5/8	8	4-15/16	546101	2	3/16	1	10	5-11/16	546115
1	3/16	5/8	8	4-15/16	546102	2	1/4	1	10	5-11/16	546116
1	1/4	5/8	8	4-15/16	546103	2	5/16	1	10	5-11/16	546117
1	5/16	5/8	8	4-15/16	546104	2	3/8	1	10	5-11/16	546118
1	3/8	5/8	8	4-15/16	546105	2	1/2	1	10	5-11/16	546119
1	1/2	5/8	8	4-15/16	546106	2	5/8	1	10	5-11/16	546120
1	5/8	5/8	8	4-15/16	546107	2	3/4	1	10	5-11/16	546121
1-1/2	1/8	1	8	5-5/16	546108	2-1/2	1/4	1	12	6-5/8	546122
1-1/2	3/16	1	8	5-5/16	546109	2-1/2	5/16	1	12	6-5/8	546123
1-1/2	1/4	1	8	5-5/16	546110	2-1/2	3/8	1	12	6-5/8	546124
1-1/2	5/16	1	8	5-5/16	546111	2-1/2	1/2	1	12	6-5/8	546125
1-1/2	3/8	1	8	5-5/16	546112	2-1/2	5/8	1	12	6-5/8	546126
1-1/2	1/2	1	8	5-5/16	546113	2-1/2	3/4	1	12	6-5/8	546127
1-1/2	5/8	1	8	5-5/16	546114	2-1/2	7/8	1	12	6-5/8	546128
						2-1/2	1	1	12	6-5/8	546129



## T-Slot Cutters

### Cobalt – Staggered Tooth & Roughers

- Right hand cut
- Regular length
- Weldon shank



Bolt Size (Inch)	Cutter Diameter (Inch)	Cutter Thickness (Inch)	Neck Diameter (Inch)	Overall Length (Inch)	Shank Diameter (Inch)	Staggered Tooth	Rougher
						Code	Code
1/4	9/16	15/64	17/64	2-19/32	1/2	603836	–
5/16	21/32	17/64	21/64	2-11/16	1/2	603837	–
3/8	25/32	21/64	13/32	3-1/4	3/4	603838	–
1/2	31/32	25/64	17/32	3-7/16	3/4	603839	603845
5/8	1-1/4	31/64	21/32	3-15/16	1	603840	603846
3/4	1-15/32	5/8	25/32	4-7/16	1	603841	603847
1	1-27/32	53/64	1-1/32	4-13/16	1-1/4	603842	603848
1-1/4	2-7/32	1-3/32	1-9/32	5-3/8	1-1/4	603843	603849
1-1/2	2-21/32	1-11/32	1-17/32	5-29/32	1-1/4	603844	603850

## Corner Rounding End Mills

### High Speed Steel & Cobalt – 4 Flute



- Right hand cut
- Regular length
- Weldon shank

Radius (Inch)	Shank Diameter (Inch)	HSS	Cobalt	Radius (Inch)	Shank Diameter (Inch)	HSS	Cobalt	Radius (Inch)	Shank Diameter (Inch)	HSS	Cobalt
		Code	Code			Code	Code			Code	Code
1/32	3/8	513201	–	*1/4	1/2	513217	516517	1/2	1	513233	516533
*1/16	3/8	513203	516503	1/4	3/4	513219	516519	5/8	3/4	513235	516535
*3/32	3/8	513205	516505	*5/16	1/2	513221	516521	5/8	1	513237	516537
*1/8	1/2	513207	516507	5/16	3/4	513223	516523	3/4	1	513239	516539
*5/32	1/2	513209	516509	*3/8	1/2	513225	516525	7/8	1	513241	–
*3/16	1/2	513211	516511	3/8	3/4	513227	516527	1	1	513243	–
3/16	3/4	513213	516513	7/16	3/4	513229	516529	<b>SETS – *8 Pieces</b>		513245	516545
7/32	1/2	513215	–	1/2	3/4	513231	516531	Wooden Block			

## Rounding Cutters

### High Speed Steel

#### Concave



#### Convex



Radius (Inch)	Shank Diameter (Inch)	Overall Length (Inch)	Cutter Diameter (Inch)	No. of Flutes	Code	Radius (Inch)	Shank Diameter (Inch)	Overall Length (Inch)	Cutter Diameter (Inch)	No. of Flutes	Code
1/32	1/2	3	3/4	6	603851	1/32	1/2	3	3/4	6	603860
1/16	1/2	3	3/4	6	603852	1/16	1/2	3	3/4	6	603861
3/32	1/2	3	3/4	6	603853	3/32	1/2	3	7/8	6	603862
1/8	3/4	3-1/2	1	6	603854	1/8	3/4	3-1/2	1-1/4	6	603863
5/32	3/4	3-1/2	1	6	603855	5/32	3/4	3-1/2	1-5/16	6	603864
3/16	3/4	3-1/2	1	6	603856	3/16	3/4	3-1/2	1-3/8	6	603865
1/4	3/4	4	1-1/4	4	603857	1/4	3/4	4	1-1/2	6	603866
5/16	3/4	4	1-1/4	4	603858	5/16	3/4	4	1-5/8	6	603867
3/8	3/4	4-3/16	1-1/2	4	603859	3/8	3/4	4	1-3/4	6	603868



## Angle Cutters – Chamfering

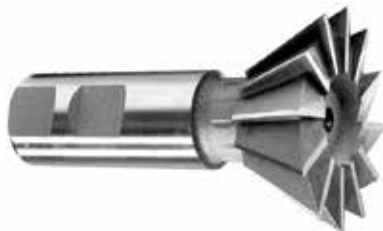
High Speed Steel – Multi Flute – 45° & 60° Angles



Cutter Diameter (Inch)	Cutter Width (Inch)	Shank Diameter (Inch)	Overall Length (Inch)	Angle	Code	Cutter Diameter (Inch)	Cutter Width (Inch)	Shank Diameter (Inch)	Overall Length (Inch)	Angle	Code
1/2	1/8	3/8	2-1/8	45°	603711	1/2	7/32	3/8	2-1/8	60°	603715
3/4	3/16	3/8	2-1/8	45°	603712	3/4	5/16	3/8	2-1/8	60°	603716
1	5/16	1/2	2-1/2	45°	603713	1	7/16	1/2	2-1/2	60°	603717
1-1/2	1/2	3/4	2-3/4	45°	603714	1-1/2	5/8	3/4	2-3/4	60°	603718

## Angle Cutters – Dovetail

High Speed Steel & Cobalt – 45° & 60° Angles



Cutter Diameter (Inch)	Shank Diameter (Inch)	Angle	HSS	Cobalt	Cutter Diameter (Inch)	Shank Diameter (Inch)	Angle	HSS	Cobalt
			Code	Code				Code	Code
3/8	3/8	45°	525200	525220	3/8	3/8	60°	525190	525210
1/2	3/8	45°	525201	525221	1/2	3/8	60°	525191	525211
3/4	3/8	45°	525202	525222	3/4	3/8	60°	525192	525212
1-3/8	5/8	45°	525203	525223	1-3/8	5/8	60°	525193	525213
1-7/8	7/8	45°	525204	525224	1-7/8	7/8	60°	525194	525214
2-1/4	1	45°	525205	525225	2-1/4	1	60°	525195	525215

## Angle Cutters – Double Angle

High Speed Steel – Right Hand Cut – 60° & 90° Included Angles



Cutter Diameter (Inch)	Shank Diameter (Inch)	Overall Length (Inch)	Cutter Thickness (Inch)	Included Angle	Code	Cutter Diameter (Inch)	Shank Diameter (Inch)	Overall Length (Inch)	Cutter Thickness (Inch)	Included Angle	Code
3/4	3/8	2-3/8	3/16	60°	603869	2-1/4	3/4	3-1/8	1/2	60°	603875
1	1/2	2-27/32	5/16	60°	603870	3/4	3/8	2-7/16	1/4	90°	603876
1-3/8	5/8	3-7/32	7/16	60°	603871	1	1/2	2-29/32	3/8	90°	603877
1-1/2	5/8	3-3/8	1/2	60°	603872	1-3/8	5/8	3-9/32	1/2	90°	603878
1-7/8	3/4	3-25/32	5/8	60°	603873	1-1/2	5/8	3-7/16	9/16	90°	603879
2-1/4	7/8	4-5/32	3/4	60°	603874	1-7/8	3/4	3-25/32	5/8	90°	603880
						2-1/4	7/8	4-5/32	3/4	90°	603881
						2-1/4	3/4	3-1/8	1/2	90°	603882



## Angle Cutters

High Speed Steel

Single Right Hand Cut & Double

45°. 60° & 90° Included Angles



Diameter (Inch)	Face Width (Inch)	Hole Diameter (Inch)	Included Angle	No. of Teeth	Single Cutter Code	Double Cutter Code	Diameter (Inch)	Face Width (Inch)	Hole Diameter (Inch)	Included Angle	No. of Teeth	Single Cutter Code	Double Cutter Code
2-1/2	1/2	7/8	45°	18	603611	-	4	1/2	1-1/4	45°	26	603628	603685
2-1/2	1/2	7/8	60°	18	603612	-	4	1/2	1-1/4	60°	26	603629	603686
2-3/4	1/2	1	45°	18	603613	603677	4	1/2	1-1/4	90°	26	-	603687
2-3/4	1/2	1	60°	18	603614	603678	4	3/4	1	45°	26	603630	603688
2-3/4	1/2	1	90°	18	-	603679	4	3/4	1	60°	26	603631	603689
3	1/2	1	45°	22	603615	-	4	3/4	1	90°	26	-	603690
3	1/2	1	60°	22	603616	-	4	3/4	1-1/4	45°	26	603632	603691
3	1/2	1-1/4	45°	22	603617	-	4	3/4	1-1/4	60°	26	603633	603692
3	1/2	1-1/4	60°	22	603618	-	4	3/4	1-1/4	90°	26	-	603693
3	5/8	1	45°	22	603619	603680	4	1	1-1/4	45°	26	603634	-
3	5/8	1	60°	22	603620	603681	4	1	1-1/4	60°	26	603635	603694
3	5/8	1	90°	22	-	603682	4	1	1-1/4	90°	26	-	603695
3	5/8	1-1/4	45°	22	603621	-	5	3/4	1-1/4	45°	28	603636	603696
3	5/8	1-1/4	60°	22	603622	-	5	3/4	1-1/4	60°	28	603637	603697
3	3/4	1	45°	22	603623	-	5	3/4	1-1/4	90°	28	-	603698
3	3/4	1	60°	22	603624	603683	5	1	1-1/4	45°	28	603638	603699
3	3/4	1	90°	22	-	603684	5	1	1-1/4	60°	28	603639	603700
3	3/4	1-1/4	60°	22	603625	-	6	3/4	1-1/4	45°	30	603640	603702
4	1/2	1	45°	26	603626	-	6	3/4	1-1/4	60°	30	603641	-
4	1/2	1	60°	26	603627	-	6	1	1-1/4	45°	30	603642	-
							6	1	1-1/4	60°	30	603643	-