

## Bore Gages For Small Holes

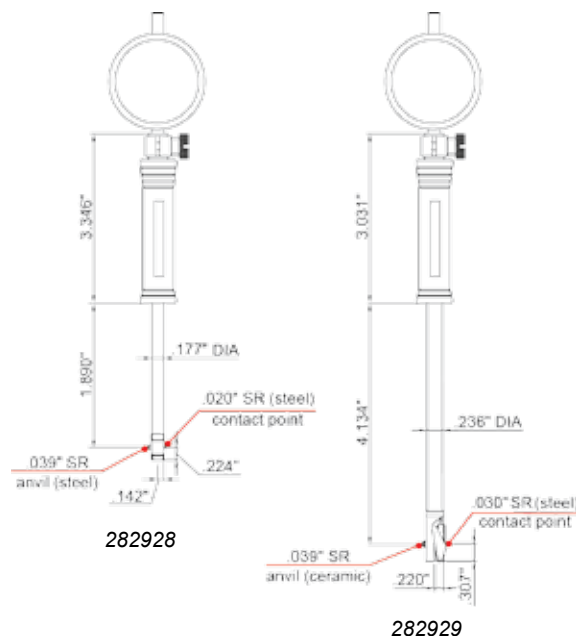


- Indicator graduation: 0.0005"
- Indicator range: 0.25"
- Stainless steel base
- Supplied in fitted storage case

OPTIONAL ACCESSORY: Setting Ring



282928



816192

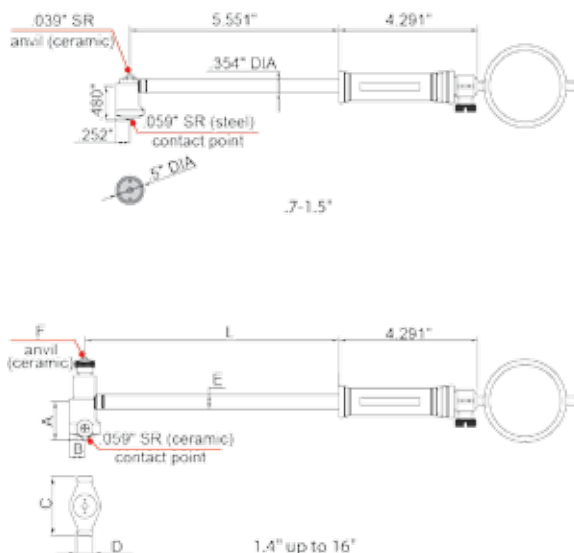
Range (Inch)	Accuracy (Inch)	Repeatability (Inch)	INSIZE No.	Code
0.24-0.4	±0.00075	0.00015	2323-04	282928
0.4-0.7	±0.00075	0.00015	2323-07	282929

## Bore Gages



- Indicator graduation: 0.0005"
- Indicator range: 0.25"
- Stainless steel base
- Supplied in fitted storage case

OPTIONAL ACCESSORIES: Setting Ring  
Long Handle



Range (Inch)	Accuracy (Inch)	Repeatability (Inch)	L (Inch)	A (Inch)	B (Inch)	C (Inch)	ØD (Inch)	E (Inch)	F (Inch)	INSIZE No.	Code
0.7-1.5	±0.00075	0.00015	5.551	0.480	0.252	0.480	0.252	0.354	0.039	2323-15	282930
1.4-2.4	±0.00090	0.00015	5.551	0.866	0.354	1.063	0.512	0.504	0.079	2323-24	816188
2-6	±0.00090	0.00015	5.551	1.024	0.354	1.378	0.512	0.504	0.079	2323-6	816192
6-10	±0.00090	0.00015	9.488	2.224	0.512	2.933	0.591	0.571	0.079	2323-10	816184
10-16	±0.00090	0.00015	9.488	3.406	0.591	3.996	0.591	0.571	0.098	2323-16	816186