

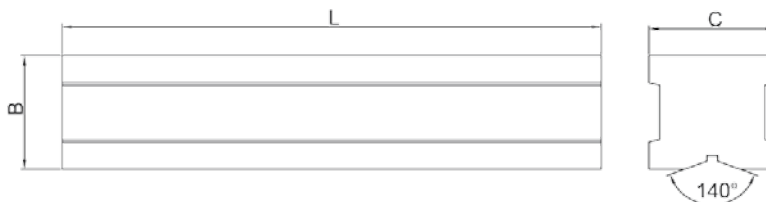
Block Levels



- V-groove on bottom for shafts (shaft diameter 0.63 to 2.76")
- With transverse vial
- Supplied with adjusting wrench

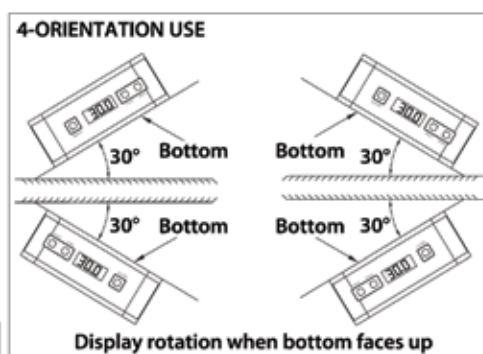
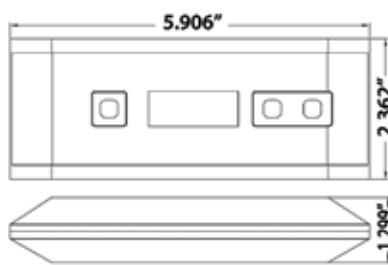


816328

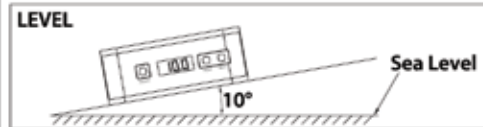
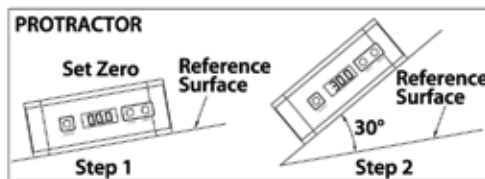


L (Inch)	Sensitivity (Inch)	INSIZE No.	Code
6	0.0002/10	4901-6	816326
8	0.0002/10	4901-8	816328
12	0.0002/10	4901-12	816330

Electronic Level & Protractor

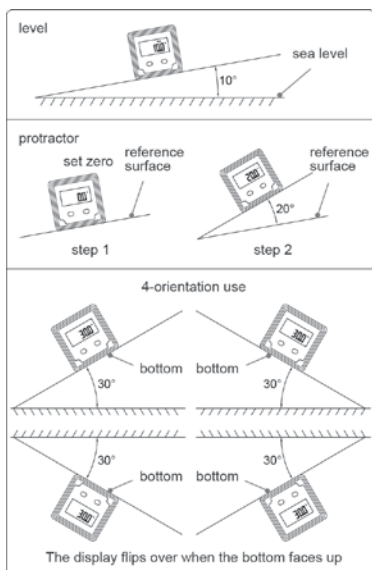


- Resolution: 0.1° (=0.021 in/ft)
- Accuracy: 0° and 90°: ±0.1°; others: ±0.2°
- Used as level and protractor
- Aluminum frame
- Magnetic bottom with v-groove for shafts
- Zero setting may be used at any angle on plain surfaces
- Buttons: on/off, zero, hold
- Display rotates when gage is upside down
- Battery CR2032
- Auto power off
- Supplied in leather pouch



Range	INSIZE No.	Code
0-360° (4 x 90°)	2173-360	816340

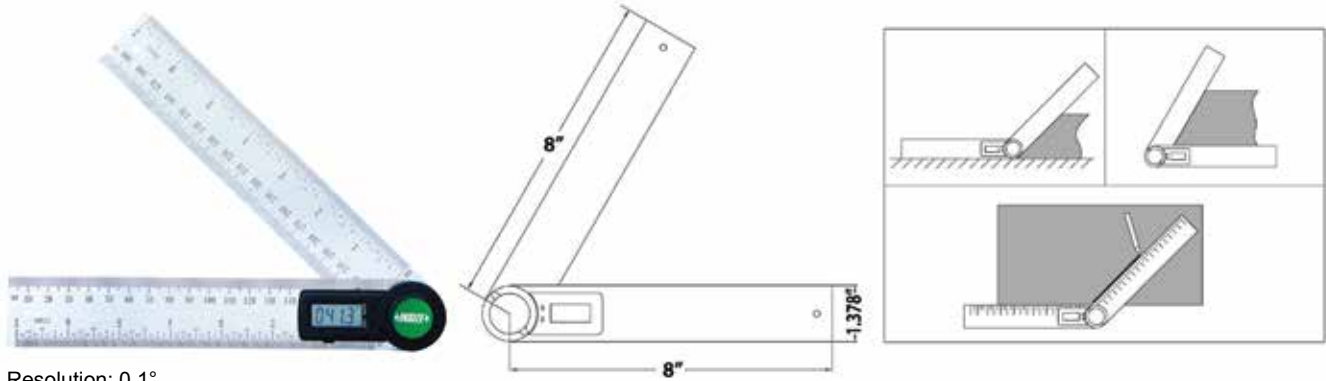
Electronic Level & Protractor



- Resolution: 0.1° (=0.021 in/ft)
- Accuracy: 0° and 90°: ±0.1°; others: ±0.2°
- Used as level and protractor
- Aluminum frame
- Magnetic bottom
- Display rotates when gage is upside down
- Backlight on automatically when in use - auto off 15 minutes after use
- Sea level is permanently set inside the chip - zero setting not required when battery is replaced
- Buttons: on/off, zero, absolute and incremental measurement
- Battery 1 x AAA
- Auto power off
- Supplied in leather pouch

Range	INSIZE No.	Code
4 x 90°	2170-1	816396

Electronic Protractor



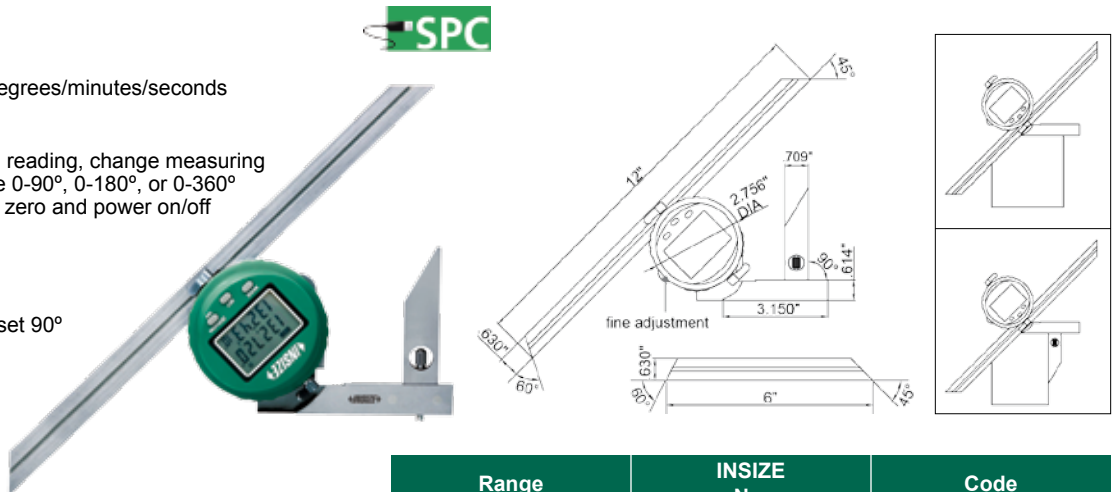
- Resolution: 0.1°
- Accuracy: $\pm 0.3^\circ$
- Buttons: on/off, zero
- With locking screw
- Graduation of blade: 1/32" and 1mm
- Stainless steel
- Battery CR2032
- Auto power off

Range	INSIZE No.	Code
0-360°	2176-200	877018

Electronic Protractor



- Display in degrees and degrees/minutes/seconds
- Resolution: 10"/0.005°
- Accuracy: $\pm 5'$
- Buttons: SET - preset the reading, change measuring direction; MODE - choose 0-90°, 0-180°, or 0-360° display; ZERO/ON/OFF - zero and power on/off
- Stainless steel
- Battery CR2032
- Auto power off
- Two blades: 6" and 12"
- Supplied with square for set 90°
- Supplied in storage case

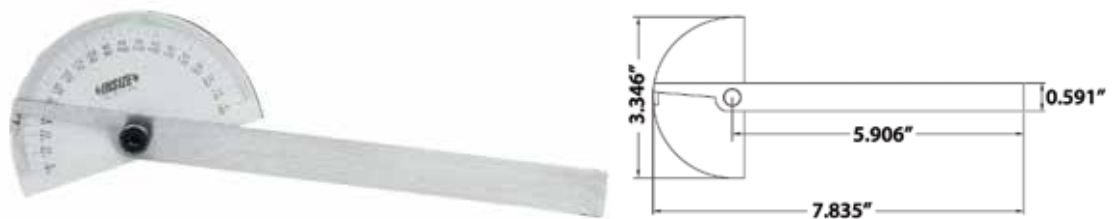


Range	INSIZE No.	Code
0-360°	2172-360A	283343

Protractor



- Graduations: 1°
- Accuracy: $\pm 0.3^\circ$
- Stainless steel with satin chrome plated scale
- With locking screw
- Supplied in storage case

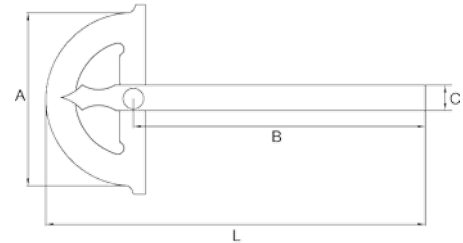
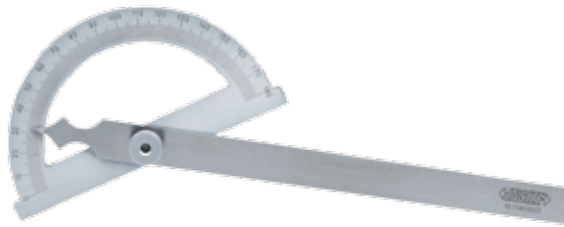


Range	INSIZE No.	Code
0-180°	4780-85	283328

Protractor



- Graduations: 1°
- Accuracy: $\pm 0.3^\circ$
- Stainless steel with satin chrome plated scale
- With locking screw
- Supplied in storage case



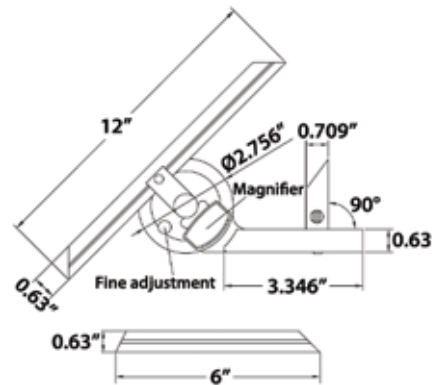
Range	L (Inch)	A (Inch)	B (Inch)	C (Inch)	INSIZE No.	Code
0-180°	8.661	4.7	5.9	0.551	4799-1120	283330

Universal Protractor



- Graduation: 5'
- Accuracy: $\pm 5'$
- Parallax-free reading
- Two blades: 6" and 12"
- With magnifier lens and small angle attachment
- Stainless steel
- Supplied in fitted storage case

OPTIONAL ACCESSORY:
Clamp 284912 (2372-CLAMP)
for Height Gages – INSIZE series
1151, 1156, 1250 and 1351



Clamp for Height Gages
sold separately

Protractor

Clamp for Height Gage

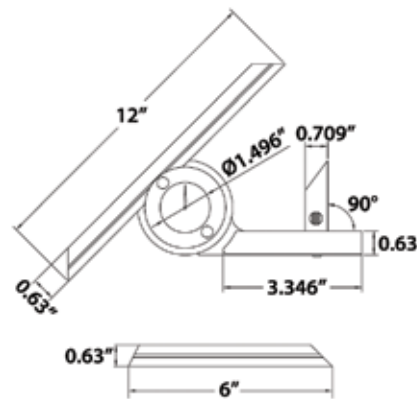
Range	INSIZE No.	Code	INSIZE No.	Code
0-360°	2372-360	283341	2372-CLAMP	284912

Dial Protractor



- Graduation: 5'
- Accuracy: $\pm 5'$
- Two blades: 6" and 12"
- With small angle attachment
- Stainless steel
- Supplied in fitted storage case

OPTIONAL ACCESSORY:
Clamp 284912 (2372-CLAMP)
for Height Gages – INSIZE series
1151, 1156, 1250 and 1351



Clamp for Height Gages
sold separately

Protractor

Clamp for Height Gage

Range	INSIZE No.	Code	INSIZE No.	Code
0-360°	2373-360	283342	2372-CLAMP	284912