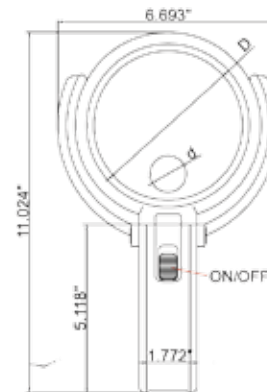
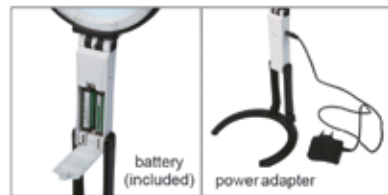
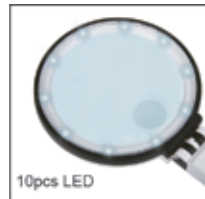


## Three Way Magnifier

With Illumination



three ways



- Plastic lens
- Powered by 2 x AA batteries (included) or power adapter (110-240V, 50-60Hz)

| Magnification | D<br>Ø Lens<br>(Inch) | d<br>Ø Lens<br>(Inch) | INSIZE<br>No. | Code   |
|---------------|-----------------------|-----------------------|---------------|--------|
| 2X/4X         | 4.724                 | 1.102                 | 7512-1        | 816387 |

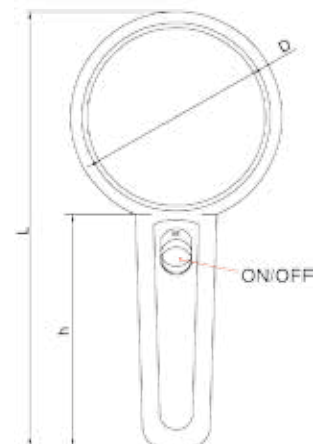
## Magnifier

With Illumination



816388

816389



- Glass lens
- Powered by 3 x AAA batteries (included)

| Magnification | D<br>Ø Lens<br>(Inch) | L<br>(Inch) | h<br>(Inch) | INSIZE<br>No. | Code   |
|---------------|-----------------------|-------------|-------------|---------------|--------|
| 2X            | 2.953                 | 6.693       | 3.543       | 7513-2        | 816388 |
| 4X            | 1.969                 | 5.709       | 3.543       | 7513-4        | 816389 |

## Loupes



### Loupe 15x

| Model | Description  | Code   |
|-------|--|--------|
| 1962  | High resolution achromat 3-element, 2-piece construction. The acrylic skirt of this high-power universal type loupe brightly illuminates work. | 730101 |

### Light Loupe 10x

| Model | Description   | Code   |
|-------|---|--------|
| 1966  | Keliner type with 3-element, 2-piece construction. Accurate measurements can be made by turning the focusing ring so both object and scale can be seen. | 730103 |

### Scale Loupe 7x Set

| Model | Description  | Code   |
|-------|--|--------|
| 1976  | 4-element, 2-piece, coated. High resolution and wide field of view makes scale reading easy. | 730107 |

### Scale Loupe 10x

| Model | Description  | Code   |
|-------|--|--------|
| 1983  | A scale loupe 10x with five most popular scales in a plastic case. | 730109 |

### Scale Loupe 10x Set

| Model | Description   | Code   |
|-------|---|--------|
| 2004  | A scale loupe 7x with five most popular scales in a plastic case. | 730113 |

### Scale Loupe 7x

| Model | Description  | Code   |
|-------|--|--------|
| 1975  | Inspection convenience is improved by adding a removable light to this 7x loupe. | 730105 |

## Magnifier Light

- 32" reach (16" + 16")
- 22w fluorescent tube
- 120 volt
- 6 ft. Cord
- Electronic ballast



| Description      | Code   |
|------------------|--------|
| Magnifier light  | 302940 |
| Fluorescent tube | 302941 |