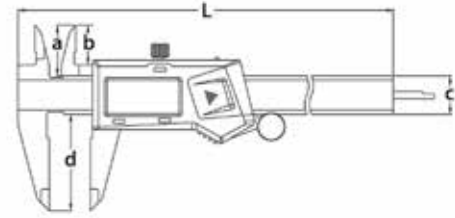


## Electronic Calipers

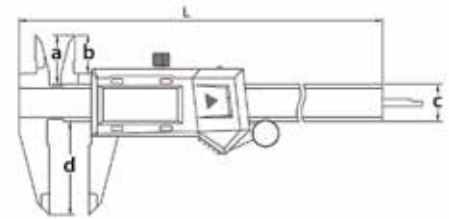


- Resolution: 0.0005"/0.01mm
- Buttons: on/off, zero, inch/mm
- Auto power off, move the digital unit to turn on power
- Battery CR2032
- Data output
- Stainless steel construction
- Supplied in fitted storage case

OPTIONAL ACCESSORY: SPC cable

Range (Inch/mm)	Accuracy (Inch)	L (Inch)	a (Inch)	b (Inch)	c (Inch)	d (Inch)	INSIZE No.	Code
0-6/0-150	±0.0012	9.291	0.827	0.630	0.630	1.575	1108-150	817000
0-8/0-200	±0.0012	11.260	0.945	0.748	0.630	1.969	1108-200	817001
0-12/0-300	±0.0012	15.748	0.984	0.807	0.669	2.362	1108-300	817002

## Fractional Reading Electronic Calipers



- Resolution: 0.0005", 1/128" (fractional), 0.01mm
- Buttons: zero, unit (mm/inch/fraction), ABS (absolute and incremental measurement), on/off
- Auto power off
- Battery CR2032
- Data output
- Stainless steel construction
- Supplied in fitted storage case

OPTIONAL ACCESSORY: SPC cable

Range (Inch/mm)	Accuracy (Inch)	L (Inch)	a (Inch)	b (Inch)	c (Inch)	d (Inch)	INSIZE No.	Code
0-6/0-150	±0.0012	9.213	0.827	0.650	0.630	1.575	1102-150	280003
0-8/0-200	±0.0012	11.260	0.945	0.748	0.630	1.969	1102-200	280004
0-12/0-300	±0.0012	15.354	1.024	0.846	0.630	2.362	1102-300	280005

## Digimatic Calipers



- Resolution: 0.0005"/0.01mm
- Absolute function
- Battery SR44
- Has the ability to measure steps
- Data output via USB

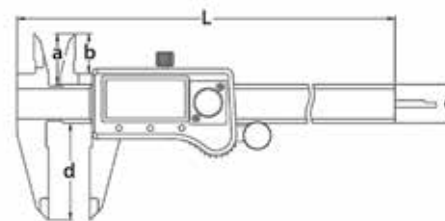


- Resolution: 0.0005"/0.01mm
- Inch/metric
- Coolant proof, IP67 Ingress protection level
- Absolute function
- Automatic on/off
- Dust and chip proof
- Data output

Range (Inch/mm)	Accuracy (Inch)	SPC	Code	Range (Inch/mm)	Accuracy (Inch)	SPC	Code
0-12/0-300	+0.001	Without SPC	500-193	0-6/0-150	±0.001	Without SPC	500-752-20
0-12/0-300	+0.001	With SPC	500-173	0-12/0-300	±0.0015	Without SPC	500-754-10
				0-6/0-150	±0.001	With SPC	500-762-10
				0-8/0-200	±0.001	With SPC	500-763-10

## Electronic Calipers

Zinc Alloy Casing

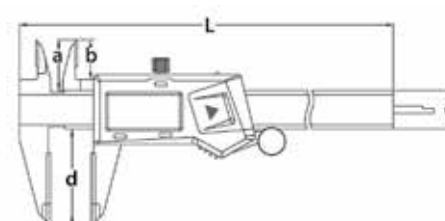


- Resolution: 0.0005"/0.01mm
- Die cast zinc alloy casing
- Buttons: zero, on/off, inch/mm
- Auto power off, move unit to turn power on
- Battery CR2032
- Supplied in fitted storage case

Range (Inch/mm)	Accuracy (Inch)	L (Inch)	a (Inch)	b (Inch)	c (Inch)	d (Inch)	INSIZE No.	Code
0-6/0-150	±0.0012	9.291	0.827	0.630	0.630	1.575	1114-150	816012
0-8/0-200	±0.0012	11.260	0.945	0.748	0.630	1.969	1114-200	816014
0-12/0-300	±0.0012	15.748	0.984	0.807	0.669	2.362	1114-300	816016

## Electronic Calipers

Carbide Tipped Jaws



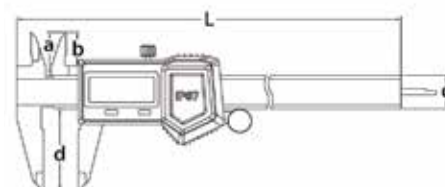
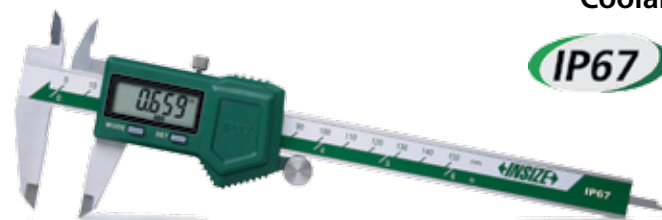
- Resolution: 0.0005"/0.01mm
- Wear resistant carbide tipped jaws for inside and outside measurements
- Buttons: zero, on/off, inch/mm
- Auto power off, move the unit to turn power on
- Battery CR2032
- Stainless steel
- Data output
- Supplied in fitted storage case

OPTIONAL ACCESSORY: SPC cable

Range (Inch/mm)	Accuracy (Inch)	L (Inch)	a (Inch)	b (Inch)	c (Inch)	d (Inch)	INSIZE No.	Code
0-6/0-150	±0.0012	9.291	0.827	0.630	0.630	1.575	1110-150A	280021
0-8/0-200	±0.0012	11.260	0.945	0.748	0.630	1.969	1110-200A	280022
0-12/0-300	±0.0012	15.748	0.984	0.807	0.669	2.362	1110-300A	280023

## Electronic Calipers

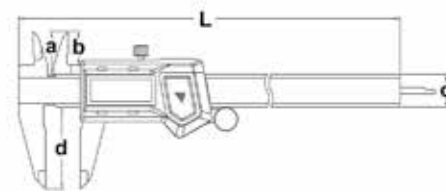
Coolant Proof



- Resolution: 0.0005"/0.01mm
- Coolant proof, IP67 Ingress protection level
- Button functions: zero, on/off, inch/mm, ABS/REL, hold
- Battery CR2032
- Stainless steel
- Supplied in fitted storage case

Range (Inch/mm)	Accuracy (Inch)	L (Inch)	a (Inch)	b (Inch)	c (Inch)	d (Inch)	INSIZE No.	Code
0-6/0-150	±0.0012	9.291	0.827	0.630	0.630	1.575	1118-150B	816018
0-8/0-200	±0.0012	11.260	0.945	0.748	0.630	1.969	1118-200B	280014
0-12/0-300	±0.0012	15.748	0.984	0.807	0.669	2.362	1118-300B	280015

## Absolute Electronic Calipers

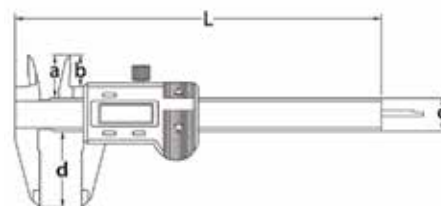
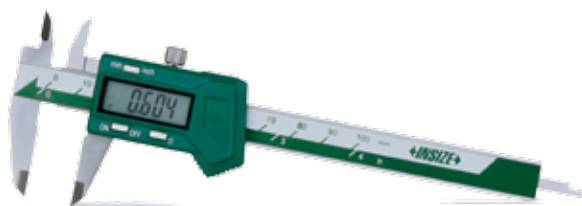


- Absolute system
- Resolution: 0.0005"/0.01mm
- Buttons: Inch/mm, ABS/REL, on/off, origin set
- Battery CR2032
- Auto power off, move unit to turn power on
- Data output
- Stainless steel
- Supplied in fitted storage case

OPTIONAL ACCESSORY: SPC cable

Range (Inch/mm)	Accuracy (Inch)	L (Inch)	a (Inch)	b (Inch)	c (Inch)	d (Inch)	INSIZE No.	Code
0-6/0-150	±0.0008	9.213	0.787	0.591	0.630	1.575	1103-150	285127
0-8/0-200	±0.0008	11.260	0.945	0.748	0.630	1.969	1103-200	285128
0-12/0-300	±0.0012	15.354	1.024	0.845	0.630	2.362	1103-300	285129

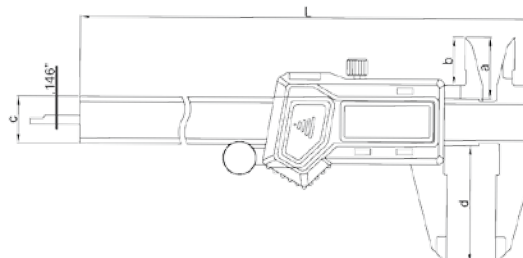
## Miniature Electronic Calipers



- Resolution: 0.0005"/0.01mm
- Buttons: zero set, power on/off, inch/mm conversion
- Auto power off
- Battery SR44 or LR44
- Meets DIN862, stainless steel construction
- Supplied in fitted storage case

Range (Inch/mm)	Accuracy (Inch)	L (Inch)	a (Inch)	b (Inch)	c (Inch)	d (Inch)	INSIZE No.	Code
0-3/0-75	±0.0008	5.669	0.669	0.492	0.512	1.181	1111-75A	280019
0-4/0-100	±0.0008	6.693	0.669	0.492	0.512	1.181	1111-100A	280020

## Left Hand Electronic Calipers



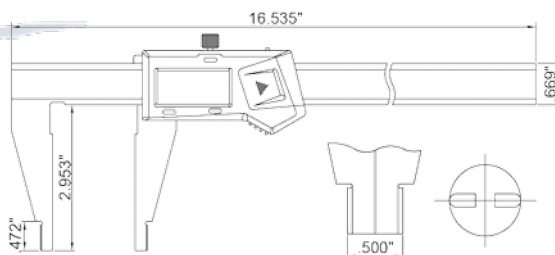
- Designed for left-handed users
- Resolution: 0.0005"/0.01mm
- Buttons: on/off, zero, Inch/mm
- Battery CR2032
- Auto power off, move unit to turn power on
- Data output
- Stainless steel
- Supplied in fitted storage case

OPTIONAL ACCESSORY: SPC cable

Range (Inch/mm)	Accuracy (Inch)	L (Inch)	a (Inch)	b (Inch)	c (Inch)	d (Inch)	INSIZE No.	Code
0-6/0-150	±0.0012	9.291	0.827	0.630	0.630	1.575	1130-150	816615
0-8/0-200	±0.0012	11.260	0.945	0.748	0.630	1.969	1130-200	816616
0-12/0-300	±0.0012	15.748	0.984	0.807	0.669	2.362	1130-300	816617

### Electronic Caliper

12 Inch/300mm



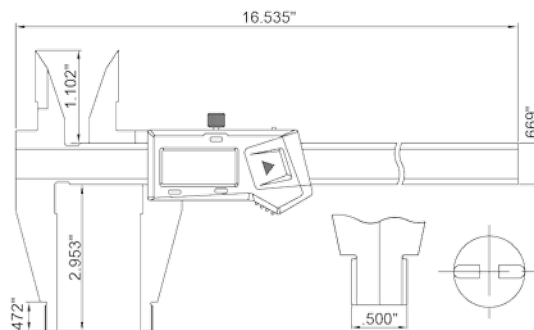
- Resolution: 0.0005"/0.01mm
- Buttons: on/off, zero, Inch/mm
- Battery CR2032
- Auto power off, move unit to turn power on
- Data output
- Stainless steel
- Supplied in fitted storage case

OPTIONAL ACCESSORY: SPC cable

Range (Inch/mm)	Accuracy (Inch)	INSIZE No.	Code
0-12/0-300	±0.0016	1522-127	816686

### Electronic Caliper

12 Inch/300mm



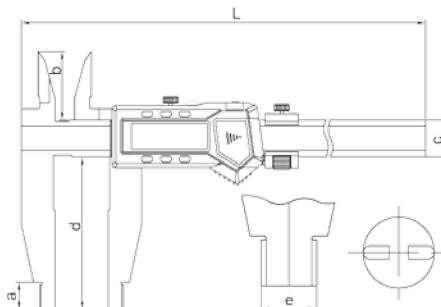
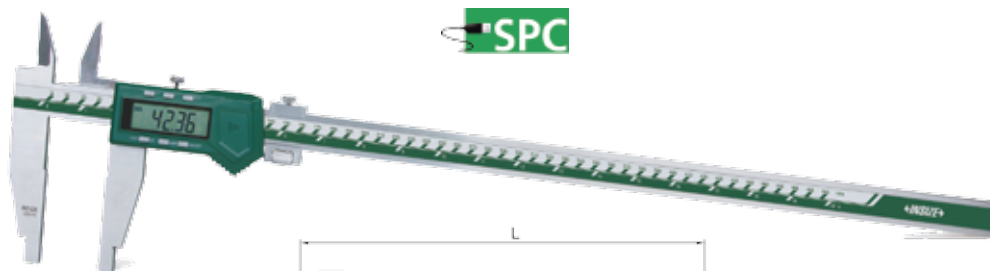
- Resolution: 0.0005"/0.01mm
- Buttons: on/off, zero, Inch/mm
- Battery CR2032
- Auto power off, move unit to turn power on
- Data output
- Stainless steel
- Supplied in fitted storage case

OPTIONAL ACCESSORY: SPC cable

Range (Inch/mm)	Accuracy (Inch)	INSIZE No.	Code
0-12/0-300	±0.0016	1523-127	816687

## Long Range Electronic Caliper

20 Inch/500mm



- Resolution: 0.01mm/0.0005"
- Button function: on/off, zero, mm/inch, ABS (absolute and incremental), data preset
- Battery CR2032
- Data output
- Stainless steel
- Supplied in fitted storage case

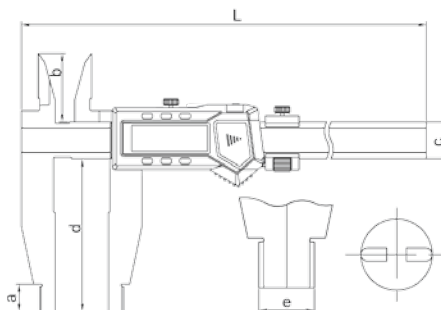
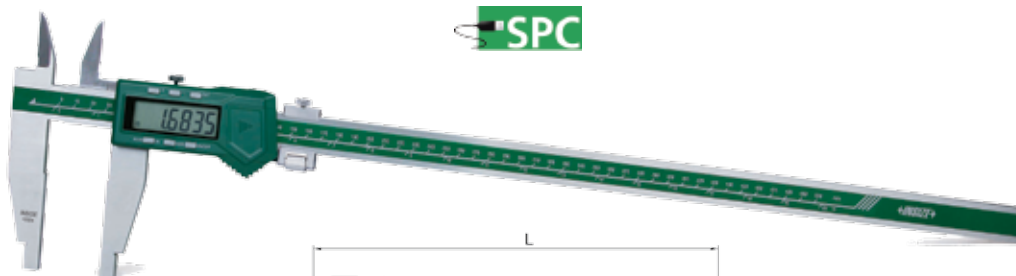
OPTIONAL ACCESSORY: SPC cable

Range (mm/Inch)	Accuracy (mm)	L (mm)	a (mm)	b (mm)	c (mm)	d (mm)	e (mm)	INSIZE No.	Code
0-500/0-20	±0.05	675	18	45	24	100	20	1136-501	280117

Sizes available up to 2000mm/80"

## Long Range Electronic Calipers

24 & 40 Inch/600 & 1000 mm



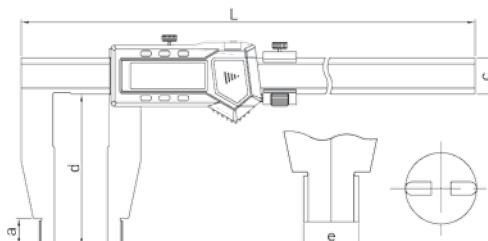
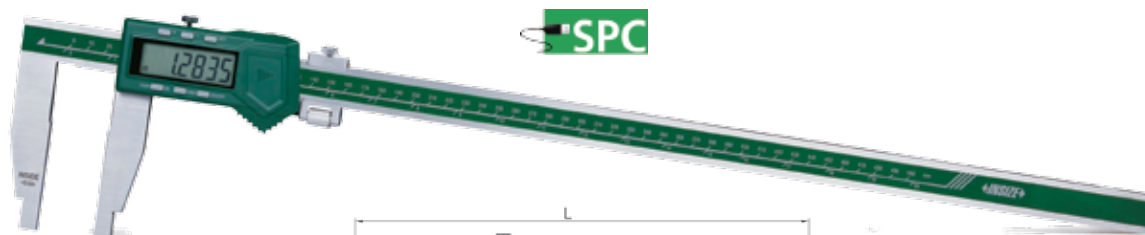
- Resolution: 0.0005"/0.01mm
- Button function: on/off, zero, inch/mm, ABS (absolute and incremental), data preset
- Battery CR2032
- Stainless steel
- Data output
- Supplied in fitted storage case

OPTIONAL ACCESSORY: SPC cable

Range (Inch/mm)	Accuracy (Inch)	L (Inch)	a (Inch)	b (Inch)	c (Inch)	d (Inch)	e (Inch)	INSIZE No.	Code
0-24/0-600	±0.0020	30.315	0.709	1.772	0.945	3.937	0.800	1133-24	285061
0-40/0-1000	±0.0031	48.031	0.945	2.362	1.220	5.906	0.800	1133-40	285062

## Long Range Electronic Calipers

24 to 80 Inch/600 to 2000mm

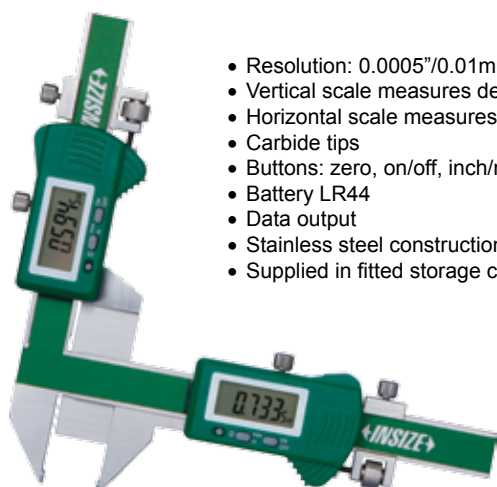


OPTIONAL ACCESSORY: SPC cable

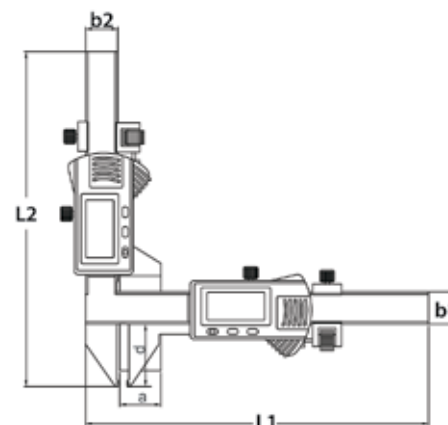
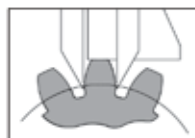
- Resolution: 0.0005"/0.01mm
- Button function: on/off, zero, inch/mm, ABS (absolute and incremental measurement), data preset
- Battery CR2032
- Stainless steel
- Data output
- Supplied in fitted storage case

Range (Inch/mm)	Accuracy (Inch)	L (Inch)	a (Inch)	c (Inch)	d (Inch)	e (Inch)	INSIZE No.	Code
0-24/0-600	±0.0020	30.315	0.709	0.945	3.937	0.800	1131-24	876221
0-40/0-1000	±0.0031	48.031	0.945	1.220	5.906	0.800	1131-40	876222
0-60/0-1500	±0.0043	70.079	0.945	1.654	5.906	0.800	1131-60	816618
0-80/0-2000	±0.0055	90.157	0.945	1.654	5.906	0.800	1131-80	280063

## Electronic Gear Tooth Calipers



- Resolution: 0.0005"/0.01mm
- Vertical scale measures depth of teeth from the top to the pitch line
- Horizontal scale measures thickness of teeth in the pitch line
- Carbide tips
- Buttons: zero, on/off, inch/mm
- Battery LR44
- Data output
- Stainless steel construction
- Supplied in fitted storage case

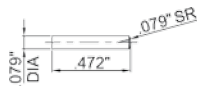


Range	Accuracy (Inch)	L1 (Inch)	L2 (Inch)	a (Inch)	b1 (Inch)	b2 (Inch)	d (Inch)	INSIZE No.	Code
P1-P24	±0.0016	6.693	6.516	0.827	0.630	0.630	1.201	1181-M25A	280658
P1/2-P5	±0.0016	8.661	7.480	1.988	0.630	0.630	2.165	1181-M50A	280659

## Electronic Caliper Interchangeable Points



Short spherical/flat points



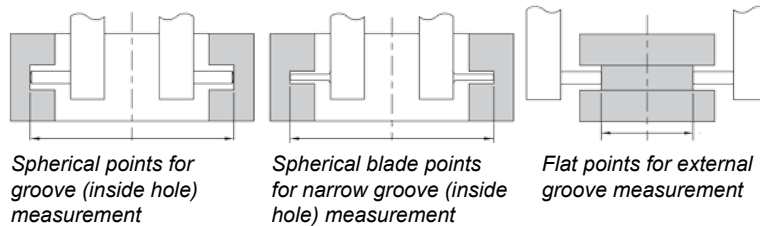
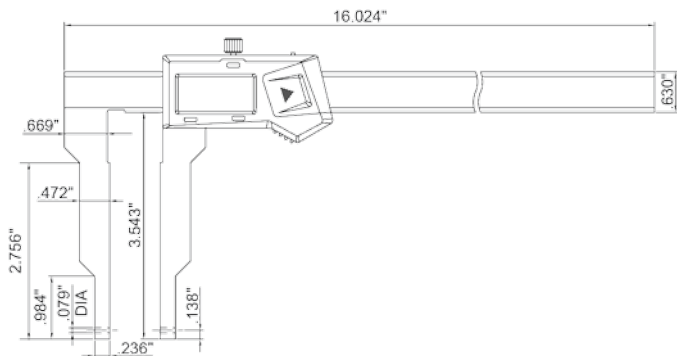
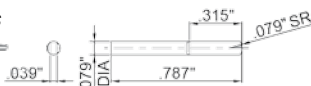
Long spherical/flat points



Short spherical blade points



Long spherical blade points

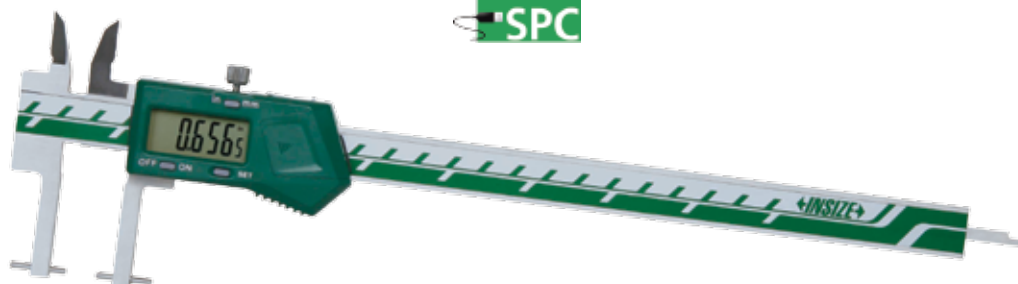


- Supplied with 4 pair of points and a zero setting block for external measurement
- Resolution: 0.0005"/0.01mm
- Buttons: on/off, set, inch/mm, preset (+, -)
- Auto power off, move unit to turn on
- Battery CR2032
- Stainless steel
- Data output
- Supplied in fitted storage case

OPTIONAL ACCESSORIES: SPC cable, Points, and Depth Stops

Range (Inch/mm)	Accuracy (Inch)	Points	Application	INSIZE No.	Code
1-12.7/24-32 (Internal) 0-11.3/0-288 (External)	±0.0016	Short spherical/flat	Spherical points for grooves inside small holes, flat points for external grooves	1124-300A	816619
1.5-13.3/40-340 (Internal) 0-10.7/0-272 (External)	±0.0016	Long spherical/flat	Spherical points for grooves inside larger holes, flat points for external grooves		
1-12.7/24-32 (Internal) 0-11.3/0-288 (External)	±0.0016	Short spherical/blade	For narrow grooves inside small holes		
1.5-13.3/40-340 (Internal) 0-10.7/0-272 (External)	±0.0016	Long spherical/blade	For narrow grooves inside large holes		

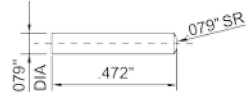
## Electronic Caliper Interchangeable Points



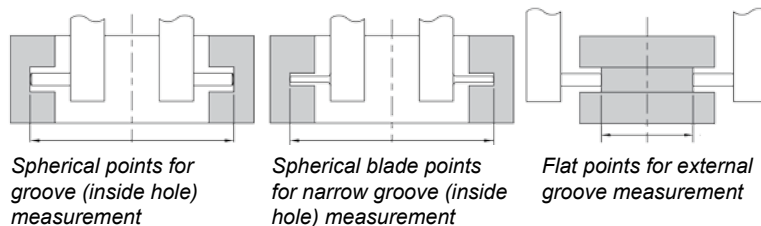
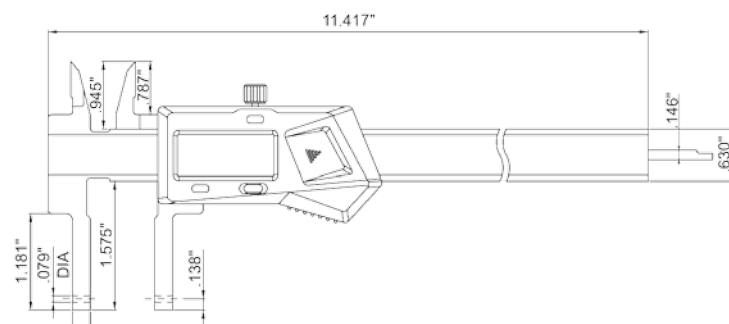
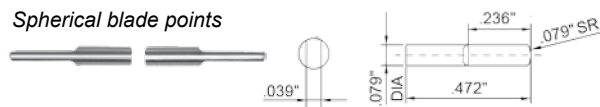
Short spherical points



Long spherical/flat points



Spherical blade points



Spherical points for groove (inside hole) measurement

Spherical blade points for narrow groove (inside hole) measurement

Flat points for external groove measurement

- Supplied with 3 pair of points and a zero setting block for external measurement
- Resolution: 0.0005"/0.01mm
- Buttons: on/off, set, inch/mm, preset (+, -)
- Auto power off, move unit to turn on
- Battery CR2032
- Stainless steel
- Data output
- Supplied in fitted storage case

OPTIONAL ACCESSORIES: SPC cable, Points, and Depth Stops

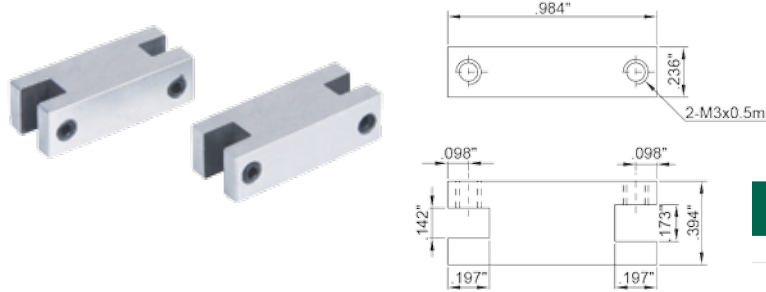
Range (Inch/mm)	Accuracy (Inch)	Points	Application	INSIZE No.	Code
0.5-8.5/12-212 (Internal)	±0.0012	Short spherical	Spherical points for grooves inside small holes	1526-200	816620
1-8.8/24-224 (Internal)	±0.0012	Long spherical/flat	Spherical points for grooves inside large holes,		
0-7.5/0-187 (External)			flat points for external grooves		
1-8.8/24-224 (Internal)	±0.0012	Spherical blade	For narrow grooves inside small holes		
0-7.5/0-187 (External)					



## Depth Stops for Calipers

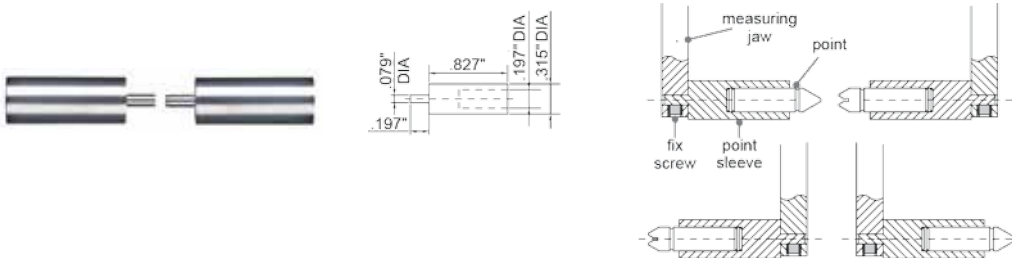


- Supplied in pairs
- Suitable for INSIZE caliper series no.: 1124, 1526, 1520, 1176, 1178, 1120, 1121, 1187, and 1185
- Stainless steel



INSIZE No.	Code
6143	816408

## Point Sleeves

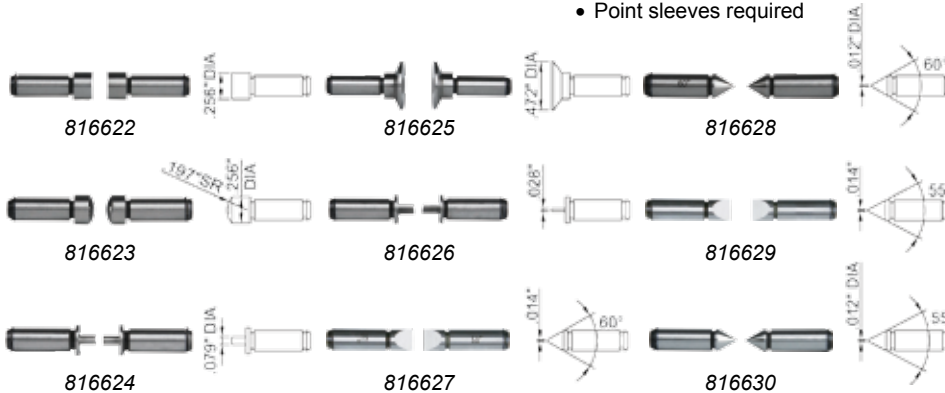


INSIZE No.	Code
1526-T101	816621

## Multifunctional Points



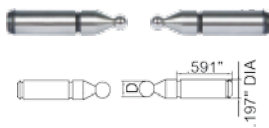
- Point sleeves required



Type	INSIZE No.	Code
Flat	7392-T1	816622
Spherical	7392-T2	816623
Spline	7392-T3	816624
Disk	7392-T4	816625
Blade	7392-T5	816626
Knife Edge	7392-T6	816627
Point	7392-T7	816628
Knife Edge	7392-T8	816629
Point	7392-T9	816630

## Ball Points

- Point sleeves required



ØD (Inch)	INSIZE No.	Code
0.079	7391-T3	282169
0.098	7391-T4	282170
0.118	7391-T5	282171
0.138	7391-T6	282172
0.157	7391-T7	282173
0.177	7391-T8	282174
0.197	7391-T9	282175
0.236	7391-T10	282176

## Screw Thread Points

- Point sleeves required



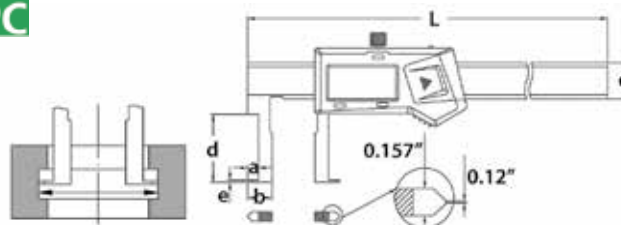
### Internal Thread – 60° Thread Angle

Pitch (TPI/mm)	INSIZE No.	Code
64-48/0.4-0.5	7321-T11	282160
44-28/0.6-0.9	7321-T12	282161
24-14/1-1.75	7321-T13	282162
13-9/2-3	7321-T14	282163
8-5/3.5-5	7321-T15	282164
4.5-3.5/5.5-7	7321-T16	282165
<b>SET - 6 Pair (above)</b>	7321-T1S	282159

### External Thread – 60° Thread Angle

Pitch (TPI/mm)	INSIZE No.	Code
64-48/0.4-0.5	7381-T11	281671
44-28/0.6-0.9	7381-T12	281672
24-14/1-1.75	7381-T13	281673
13-9/2-3	7381-T14	281674
8-5/3.5-5	7381-T15	281675
4.5-3.5/5.5-7	7381-T16	281676
<b>SET - 6 Pair (above)</b>	7381-TS	281670

## Electronic Inside Groove Caliper



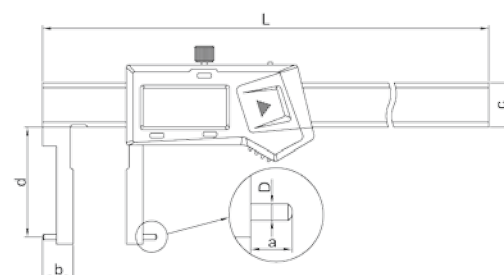
- Measures groove diameter
- Resolution: 0.0005"/0.01mm
- Buttons: on/off, set, inch/mm, preset (+,-)
- Auto power off - move unit to turn on
- Battery CR2032
- Data output
- Stainless steel
- Supplied in fitted storage case

OPTIONAL ACCESSORY: SPC cable, Depth stops

Range (Inch/mm)	Accuracy (Inch)	L (Inch)	a (Inch)	b (Inch)	c (Inch)	d (Inch)	e (Inch)	INSIZE No.	Code
1-6/25.4-150	±0.0016	9.843	0.197	0.5	0.630	1.181	0.039	1120-150AE	280523

Sizes available up to 12"/300mm

## Electronic Inside Groove Caliper



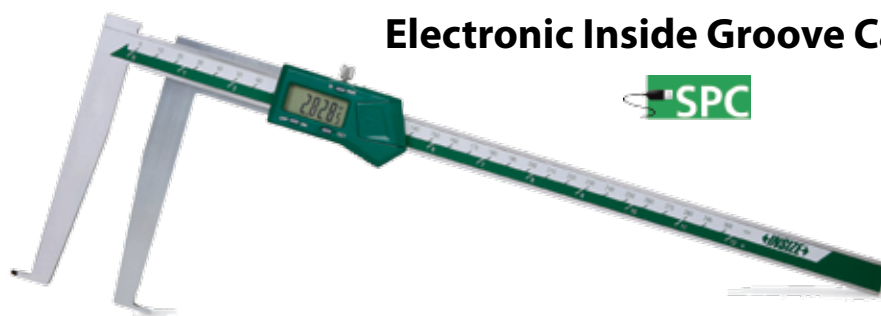
- For narrow grooves and small recesses
- Resolution: 0.0005"/ 0.01mm
- Pin dimensions: 0.079" diameter x 0.197" deep
- Buttons: on/off, set, inch/mm, preset (+,-)
- Auto power off - move unit to turn on
- Battery CR2032
- Data output
- Stainless steel
- Supplied in fitted storage case

OPTIONAL ACCESSORY: SPC cable, Depth stops

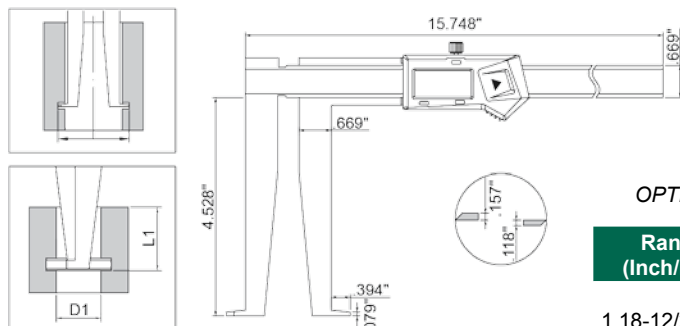
Range (Inch/mm)	Accuracy (Inch)	L (Inch)	a (Inch)	b (Inch)	c (Inch)	d (Inch)	D (Inch)	INSIZE No.	Code
0.9-6/24-150	±0.0016	9.843	0.197	0.4724	0.630	1.181	0.079	1121-150A	280541

Sizes available up to 12"/300mm

## Electronic Inside Groove Caliper



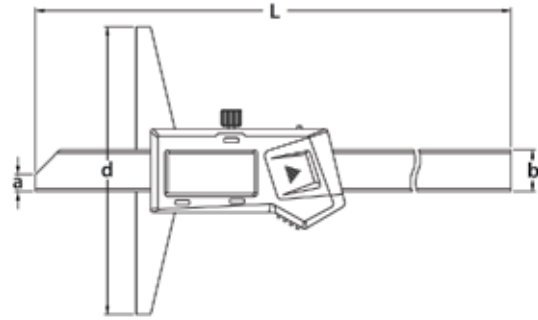
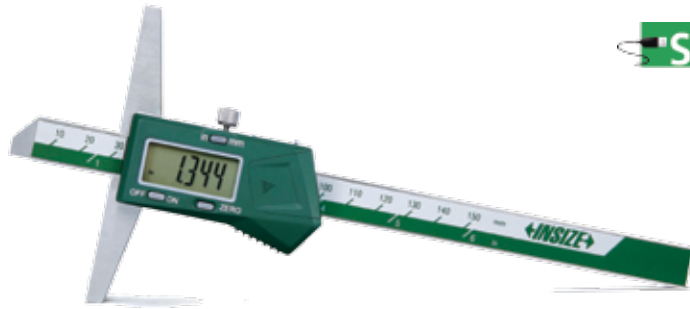
- Measures diameter of grooves inside bores
- Resolution: 0.0005"/ 0.01mm
- Buttons: on/off, set, inch/mm, preset (+,-)
- Auto power off - move unit to turn on
- Battery CR2032
- Data output
- Stainless steel
- Supplied in fitted storage case



OPTIONAL ACCESSORY: SPC cable, Depth stops

Range (Inch/mm)	Accuracy (Inch)	ØD1 (Inch)	L1 (Inch)	INSIZE No.	Code
1.18-12/25-300	±0.0020	0.984	<1.969	1178-300	816633
		1.024	<2.362		
		1.063-12	<4.331		

## Electronic Depth Calipers



- Resolution: 0.0005"/0.01mm
- Buttons: on/off, zero, inch/mm
- Battery CR2032
- Data output
- Stainless steel construction
- Supplied in fitted storage case

OPTIONAL ACCESSORY: SPC cable

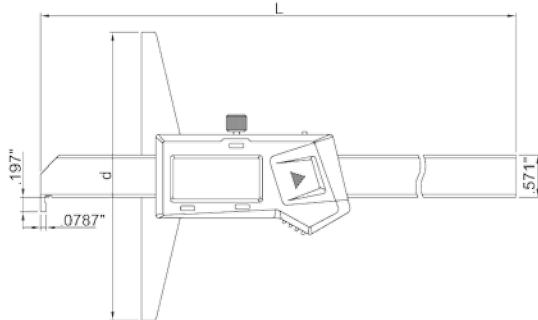
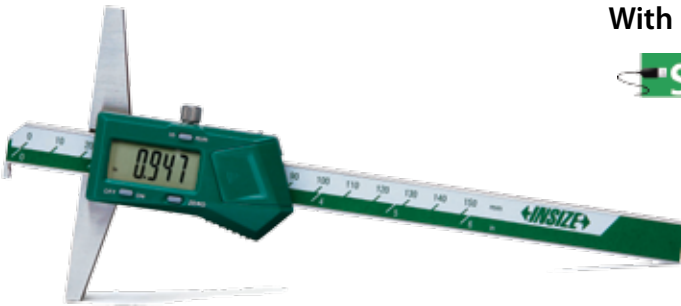
Range (Inch/mm)	Accuracy (Inch)	L (Inch)	a (Inch)	b (Inch)	d (Inch)	INSIZE No.	Code
0-6/0-150	±0.0012	9.055	0.236	0.571	3.937	1141-150A	816040
0-8/0-200	±0.0012	11.024	0.236	0.571	3.937	1141-200A	816042
0-12/0-300	±0.0012	14.961	0.236	0.571	5.906	1141-300A	816044

Sizes available up to 20"

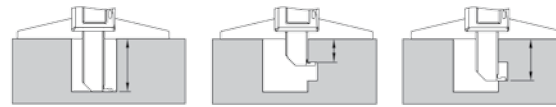
## Electronic Depth Calipers



With Hook



- Resolution: 0.0005"/0.01mm
- Buttons: on/off, zero, inch/mm
- Auto power off - move unit to turn on
- Battery CR2032
- Data output
- Stainless steel construction
- Supplied in fitted storage case

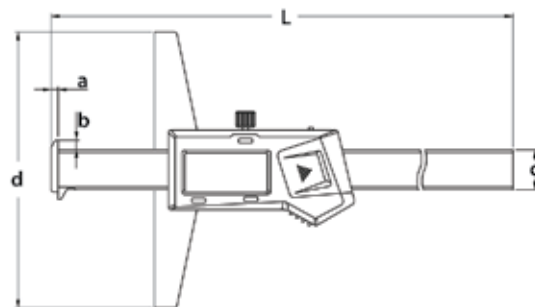
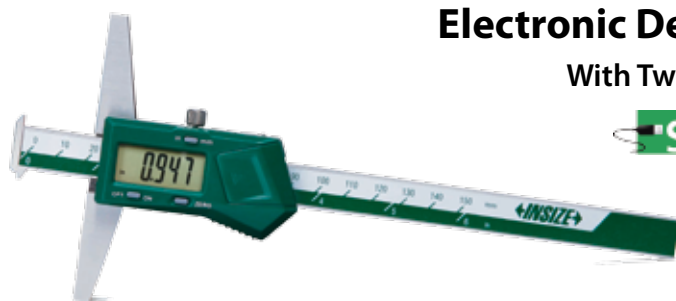


OPTIONAL ACCESSORY: SPC cable

Range (Inch/mm)	Accuracy (Inch)	L Length (Inch)	d (Inch)	INSIZE No.	Code
0-6/0-150	±0.0012	9.055	3.937	1142-150A	280677
0-8/0-200	±0.0012	11.024	3.937	1142-200A	280678
0-12/0-300	±0.0016	14.961	5.906	1142-300A	280679

## Electronic Depth Calipers

With Two Hooks

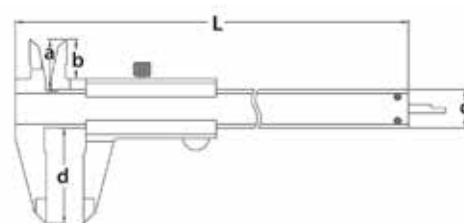


OPTIONAL ACCESSORY: SPC cable

- Resolution: 0.0005"/0.01mm
- Buttons: on/off, zero, inch/mm
- Auto power off - move unit to turn on
- Battery CR2032
- Data output
- Stainless steel construction
- Supplied in fitted storage case

Range (Inch/mm)	Accuracy (Inch)	L Length (Inch)	d (Inch)	INSIZE No.	Code
0-6/0-150	±0.0012	9.173	3.937	1144-150A	280681
0-8/0-200	±0.0012	11.142	3.937	1144-200A	280682
0-12/0-300	±0.0012	15.079	5.906	1144-300A	280683

## Vernier Calipers



- Stainless steel with satin chrome plated reading surface
- Supplied in fitted storage case

Graduations: 0.001"/0.02mm – Accuracy: ±0.0012"

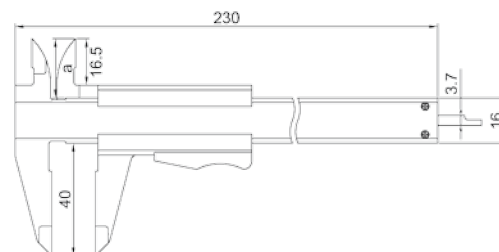
Range (Inch/mm)	L (Inch)	a (Inch)	b (Inch)	c (Inch)	d (Inch)	INSIZE No.	Code
0-6/0-150	9.252	0.807	0.610	0.630	1.575	1205-1502E	876750
0-8/0-200	11.417	0.925	0.748	0.630	1.969	1205-2002E	876225
0-12/0-300	16.299	1.083	0.866	0.787	2.52	1205-3002E	876232

Graduations: 0.05mm/1/128" – Accuracy: ±0.05mm

Range (mm/Inch)	L (mm)	a (mm)	b (mm)	c (mm)	d (mm)	INSIZE No.	Code
0-150/0-6	235	20.5	15.5	16	40	1205-150S	876224

## Vernier Caliper

With Thumb Clamp



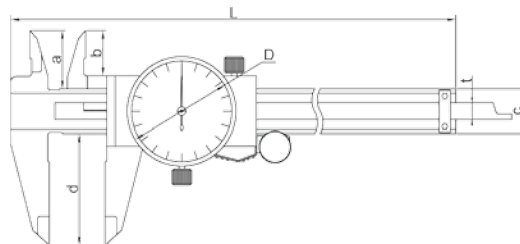
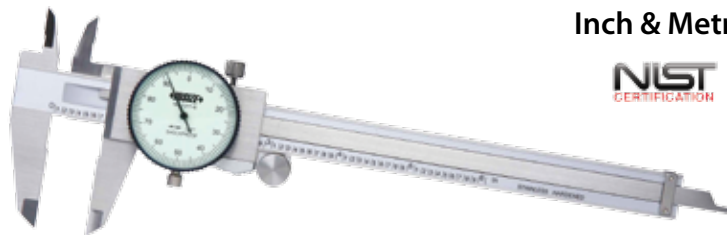
- Meets DIN862 standards
- With thumb clamp
- Stainless steel with satin chrome plated reading surface
- Supplied in fitted storage case

Graduations: 0.05mm/1/128" – Accuracy: ±0.05mm

Range (mm/Inch)	a (mm)	INSIZE No.	Code
0-150/0-6	20.5	1223-150	280184

## Dial Calipers

Inch & Metric



- Graduations: Inch 0.001", Metric 0.01mm
- One revolution equals: Inch 0.1", Metric 1mm
- Shock proof dial indicator
- Supplied in fitted storage case

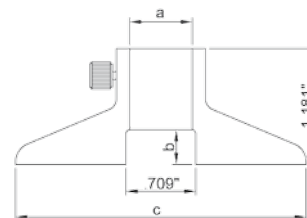
### Inch

Range (Inch)	Accuracy (Inch)	L (Inch)	a (Inch)	b (Inch)	c (Inch)	d (Inch)	ØD (Inch)	t (Inch)	INSIZE No.	Code
0-4	±0.0012	6.496	0.709	0.472	0.512	1.181	1.260	0.228	1311-4	280462
0-6	±0.0015	9.252	0.827	0.650	0.630	1.575	1.535	0.256	1311-6	816028
0-8	±0.0020	11.339	0.945	0.748	0.630	1.890	1.535	0.256	1311-8	816030
0-12	±0.0020	16.142	1.102	0.866	0.787	2.441	1.1.752	0.295	1311-12	816032

### Metric

Range (mm)	Accuracy (mm)	L (mm)	a (mm)	b (mm)	c (mm)	d (mm)	ØD (mm)	t (mm)	INSIZE No.	Code
0-150	±0.03	235	21	16.5	16	40	39.0	6.5	1311-150A	816034
0-200	±0.03	288	24	19.0	16	48	39.0	6.5	1311-200A	816036
0-300	±0.03	410	28	22.0	20	62	44.5	7.5	1311-300A	816038

## Depth Base Attachment for Calipers



- Increases stability when measuring depths with a caliper
- Suitable for 0-6" and 0-8" Vernier calipers, electronic calipers and dial calipers with a beam width of (w) 0.63"
- Stainless steel

a (Inch)	b (Inch)	c (Inch)	INSIZE No.	Code
0.650	0.354	2.953	6140	816046

## Caliper Accessory Set



Caliper not included

- Set includes jaws, wrench and the following points: small cylindrical, large cylindrical, spherical, and pointed
- Components are hardened, ground and lapped
- Fits many brands
- For sizes 4", 6", and 8" calipers
- Used to measure slots, grooves, webs, shoulders, etc.

Code
805785